

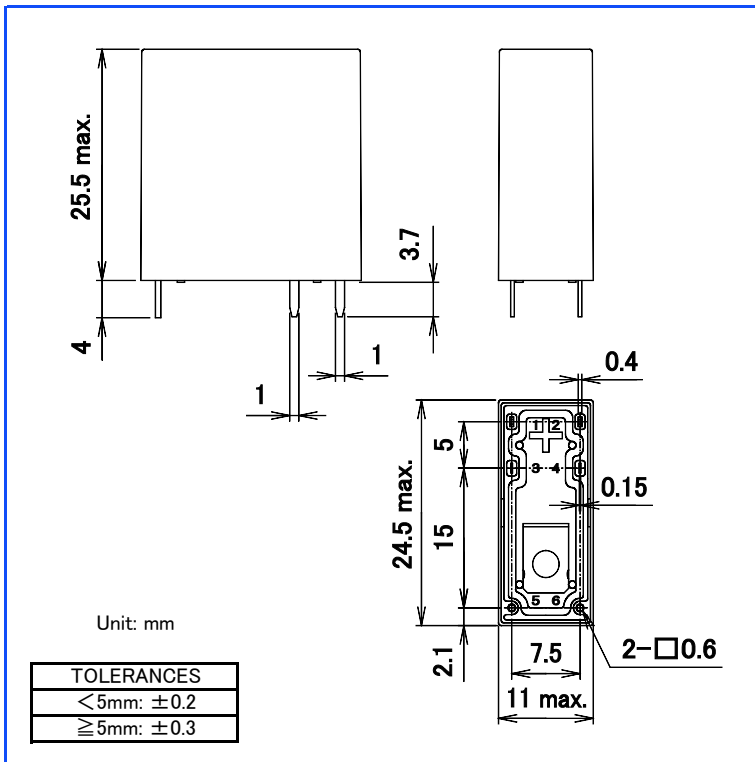
DS series

Ratings • Performance

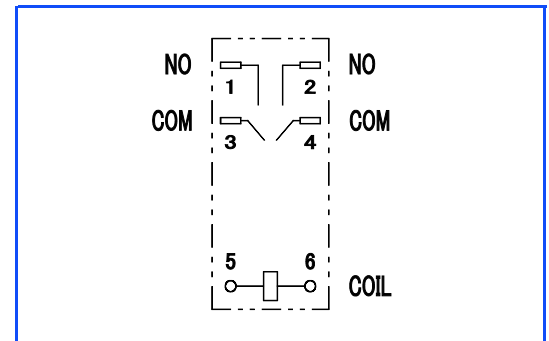
Specifications	Item	Performance	
Contact specification	Contact configuration	2a, Crossbar contacts	
	Contact resistance	30mΩ max. (at DC6V 1A)	
	Contact material	Gold clad silver contact	
Ratings	Rated load (resistive load)	AC50V 8A AC125V 3A DC30V 3A	
	Max. switching capacity (resistive load)	400VA	
	Max. switching voltage	AC125V	
	Max. switching current	8A	
Electrical capability	Insulation resistance		100MΩ min. (at DC500V)
	Dielectric strength	Between coil and contacts	AC2000V 1 min
		Between open contacts	AC1000V 1 min
		Between opposite polarity contacts	AC1000V 1 min
	Impulse withstand voltage (between coil and contacts)		8000V (1.2 × 50 μs)
	Operate time (at rated voltage on, at 20°C)		15ms max. (excluding contact bounce time)
Release time (at rated voltage off, at 20°C)		5ms max. (excluding contact bounce time)	
Mechanical capability	Vibration resistance	Malfunction	10 to 55 to 10Hz (double amplitude 1.5mm)
		Destruction	10 to 55 to 10Hz (double amplitude 1.5mm)
	Shock resistance	Malfunction	100m/s ²
		Destruction	1000m/s ²
Life	Mechanical endurance (at 180 times/min)		500 000 times min.
	Electrical endurance (at 20 times/min)		10 000 times min. (at rated load)
Conditions for operation	Ambient temperature		-15°C to +60°C (no freezing and condensing at low temperature)
	Ambient humidity		5% to 85%RH
Mass			approx. 10g

● Notes: The above is the initial value.

Dimensions



Schematics



PCB mounting holes (tolerances ±0.1)

