

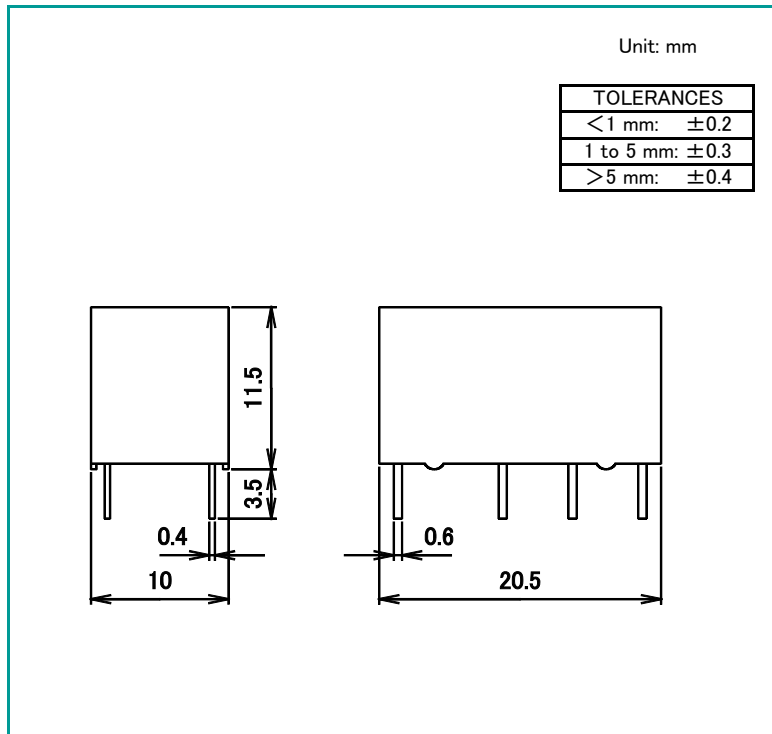
# CS series

## ■ Ratings • Performance

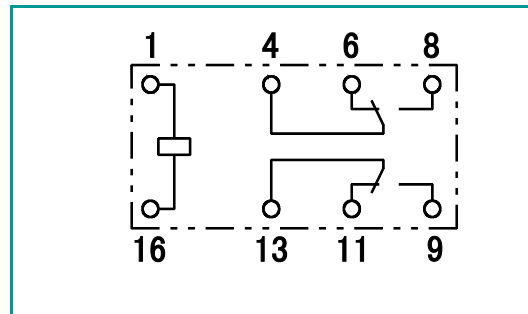
Specifications	Item	Performance	
Contact specification	Contact configuration	2c	
	Contact resistance	100mΩ max. (at DC6V 1A)	
	Contact material	Ag alloy	
Ratings	Rated load (resistive load)	AC120V 0.5A	
	Max. switching capacity (resistive load)	60VA	
	Max. switching voltage	AC120V	
	Max. switching current	1A	
Electrical capability	Insulation resistance	100MΩ min. (at DC500V)	
	Dielectric strength	Between coil and contacts	AC1000V 1 min
		Between open contacts	AC500V 1 min
		Between opposite polarity contacts	AC500V 1 min
	Impulse withstand voltage (between coil and contacts)	1500V min. (1.2 × 50 μs)	
	Operate time (at rated voltage on, at 20°C)	8ms max. (excluding contact bounce time)	
Release time (at rated voltage off, at 20°C)	4ms max. (excluding contact bounce time)		
Mechanical capability	Vibration resistance	Malfunction	10 to 55 to 10Hz (double amplitude 1.5mm)
		Destruction	10 to 55 to 10Hz (double amplitude 1.5mm)
	Shock resistance	Malfunction	100m/s <sup>2</sup>
		Destruction	500m/s <sup>2</sup>
Life	Mechanical endurance (at 180 times/min)	1 000 000 times min.	
	Electrical endurance (resistive load) (at 12 times/min)	100 000 times min. (at rated load)	
Conditions for operation	Ambient temperature	-25°C to +65°C (no freezing and condensing at low temperature)	
	Ambient humidity	5% to 85%RH	
Mass		approx. 5g	

● Notes: The above is the initial value.

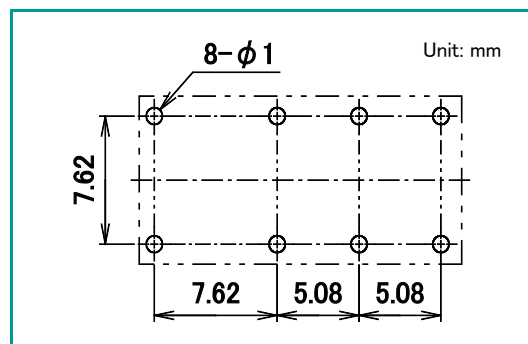
## ■ Dimensions



## ■ Schematics



## ■ PCB mounting holes (tolerances ±0.1)



DEC is a professional manufacturer of relays

**DEC** Daiichi Electric Co., Ltd.  
<https://www.j-dec.co.jp>