

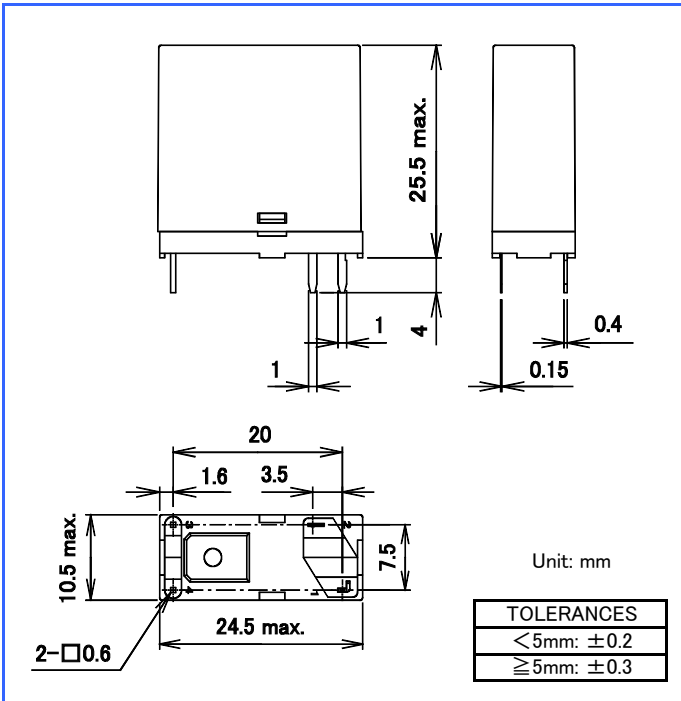
DG series

Ratings • Performance

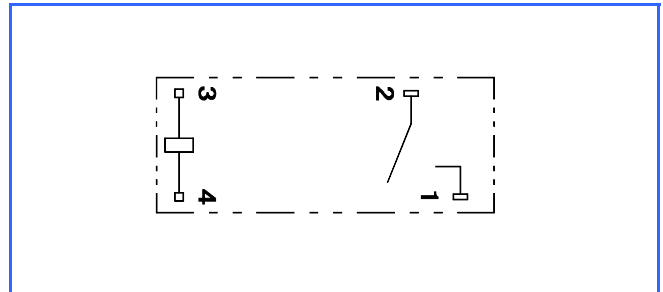
Specifications	Item	Performance		
		DG1U-II	DG1U-III	DG1U-III 16A
Contact specification	Contact configuration	1a		
	Contact resistance	50mΩ max. (at DC6V 1A)		
	Contact material	Ag alloy		
Ratings	Rated load (resistive load)	AC250V 5A	AC250V 10A	AC277V 16A
	Max. switching capacity (resistive load)	1250VA	2500VA	4432VA
	Max. switching voltage	AC250V		AC277V
	Max. switching current	5A, TV-8	5A, 10A	16A
	Power consumption	0.25W/0.53W		0.53W
Electrical capability	Insulation resistance	100MΩ min. (at DC500V)		
	Dielectric strength	Between coil and contact	AC4000V 1 min	
		Between open contact	AC1000V 1 min	
	Impulse withstand voltage (between coil and contact)	10 000V min. (1.2 × 50 μs)		
	Operate time (at rated voltage on, at 20°C)	15ms max. (excluding contact bounce time)		
Mechanical capability	Release time (at rated voltage off, at 20°C)	10ms max. (excluding contact bounce time)		
	Vibration resistance	Malfunction	10 to 55 to 10Hz (double amplitude 1.5mm)	
		Destruction	10 to 55 to 10Hz (double amplitude 1.5mm)	
	Shock resistance	Malfunction	100m/s ²	
Destruction		1000m/s ²		
Life	Mechanical endurance (at 180 times/min)	1 000 000 times min.		
	Electrical endurance (at 20 times/min) (16A: 1 s ON/9 s OFF)	100 000 times min. (at rated load) (however, the 1G type is 100 000 times minimum at 10A, 50 000 times minimum at 16A)		
Conditions for operation	Ambient temperature	-40°C to +70°C (no freezing and condensing at low temperature)		
	Ambient humidity	5% to 85%RH		
Mass		approx. 10g		

● Notes: The above is the initial value.

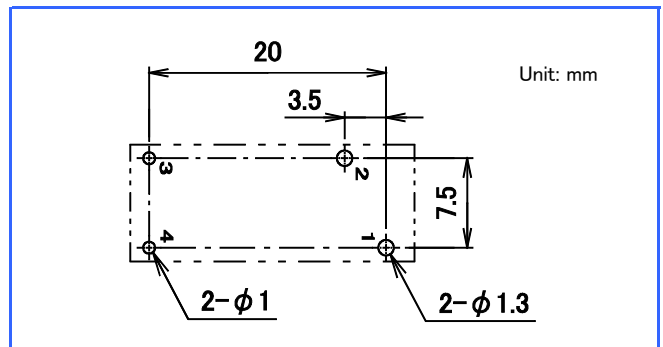
Dimensions



Schematics



PCB mounting holes (tolerances ±0.1)



DEC is a professional manufacturer of relays

DEC Daiichi Electric Co., Ltd.

<https://www.j-dec.co.jp>