

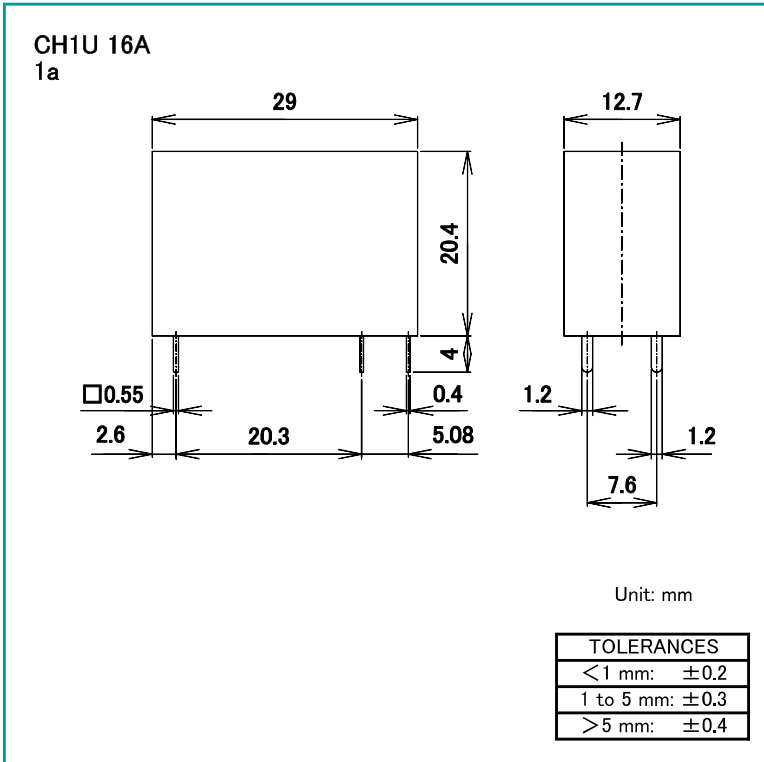
# CH series

## ■ Ratings\*Performance

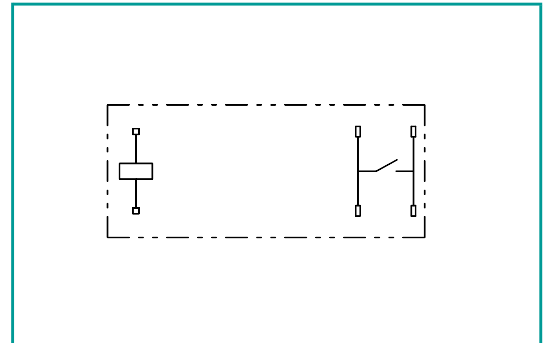
Specifications	Item	Performance (1-pole type)	Performance (2-poles type)	
		CH1U 16A	CH2U	
Contact specification	Contact configuration	1a	2a, 2b, 2c	
	Contact resistance	100mΩ max. (at DC6V 1A)		
	Contact material	Ag alloy		
Ratings	Rated load (resistive load)	AC240V 16A	AC250V 5A	
	Max. switching capacity (resistive load)	3840VA	1250VA	
	Max. switching voltage	AC250V		
	Max. switching current	16A	5A	
Electrical capability	Insulation resistance	100MΩ min. (at DC500V)		
	Dielectric strength	Between coil and contacts	AC4000V 1 min	
		Between open contacts	AC1000V 1 min	
		Between opposite polarity contacts	—	AC1000V 1 min
	Operate time (at rated voltage on, at 20°C)	20ms max. (excluding contact bounce time)		
Release time (at rated voltage off, at 20°C)	10ms max. (excluding contact bounce time)			
Mechanical capability	Vibration resistance	Malfunction	10 to 55 to 10Hz (double amplitude 1.0mm)	
		Destruction	10 to 55 to 10Hz (double amplitude 1.0mm)	
	Shock resistance	Malfunction	100m/s <sup>2</sup>	
		Destruction	1000m/s <sup>2</sup>	
Life	Mechanical endurance (at 30 times/min)	1 000 000 times min.		
	Electrical endurance (resistive load) (at 12 times/min)	100 000 times min. (at rated load)		
Conditions for operation	Ambient temperature	-40°C to +70°C (no freezing and condensing at low temperature)	-40°C to +60°C (no freezing and condensing at low temperature)	
	Ambient humidity	5% to 85%RH		
Mass		approx. 13g	approx. 14g	

● Notes: The above is the initial value.

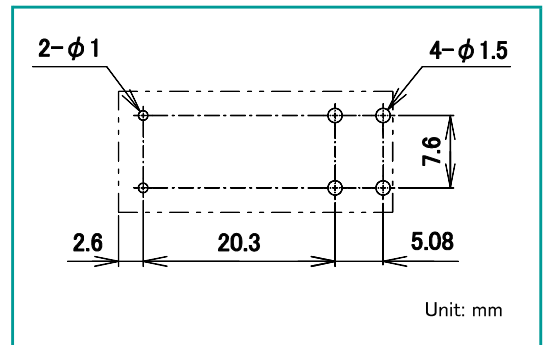
## ■ Dimensions



## ■ Schematics



## ■ PCB mounting holes (tolerances ±0.1)



DEC is a professional manufacturer of relays

**DEC** Daiichi Electric Co., Ltd.  
<https://www.j-dec.co.jp>