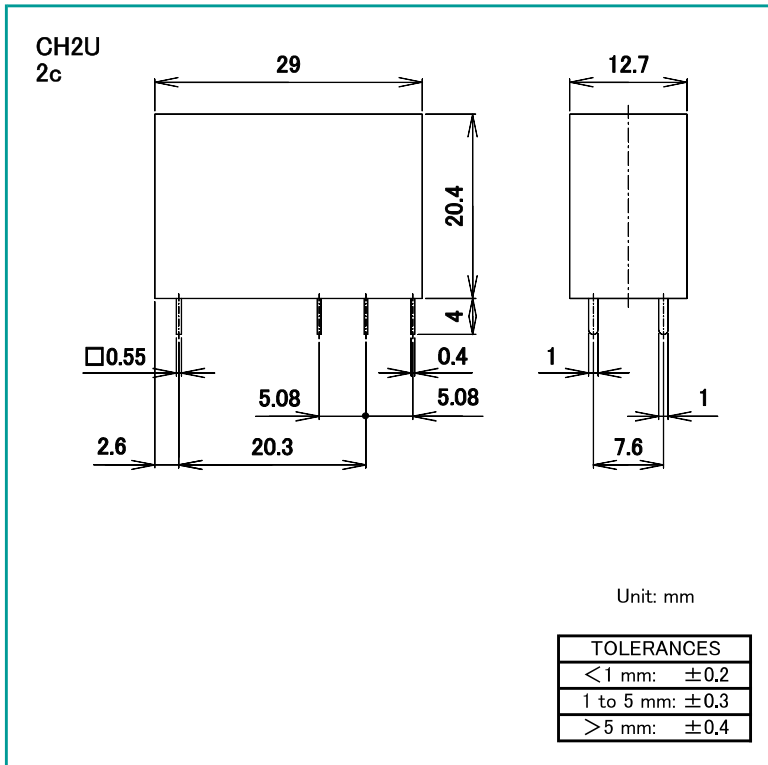
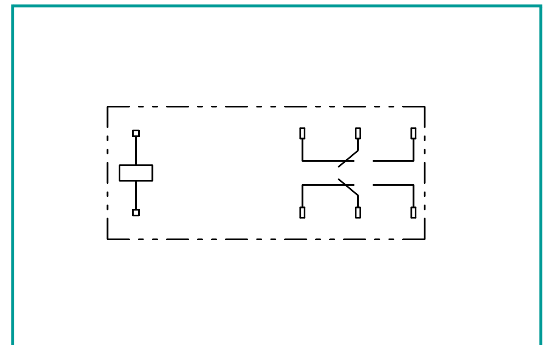


CH series

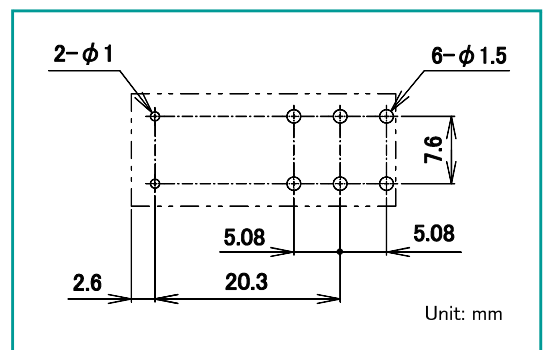
■ Dimensions



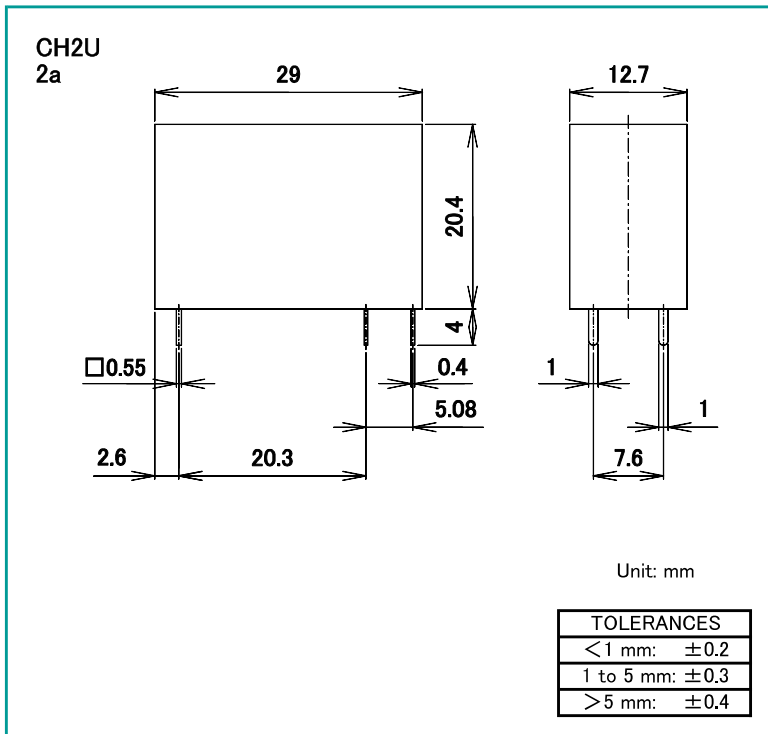
■ Schematics



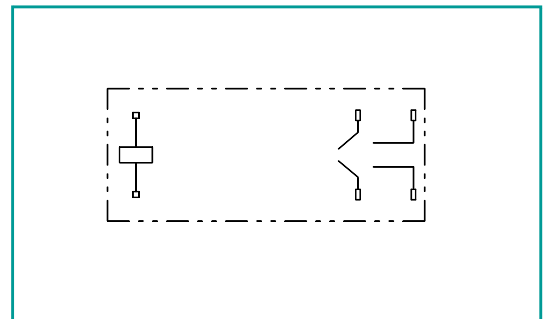
■ PCB mounting holes (tolerances ±0.1)



■ Dimensions



■ Schematics



■ PCB mounting holes (tolerances ±0.1)

