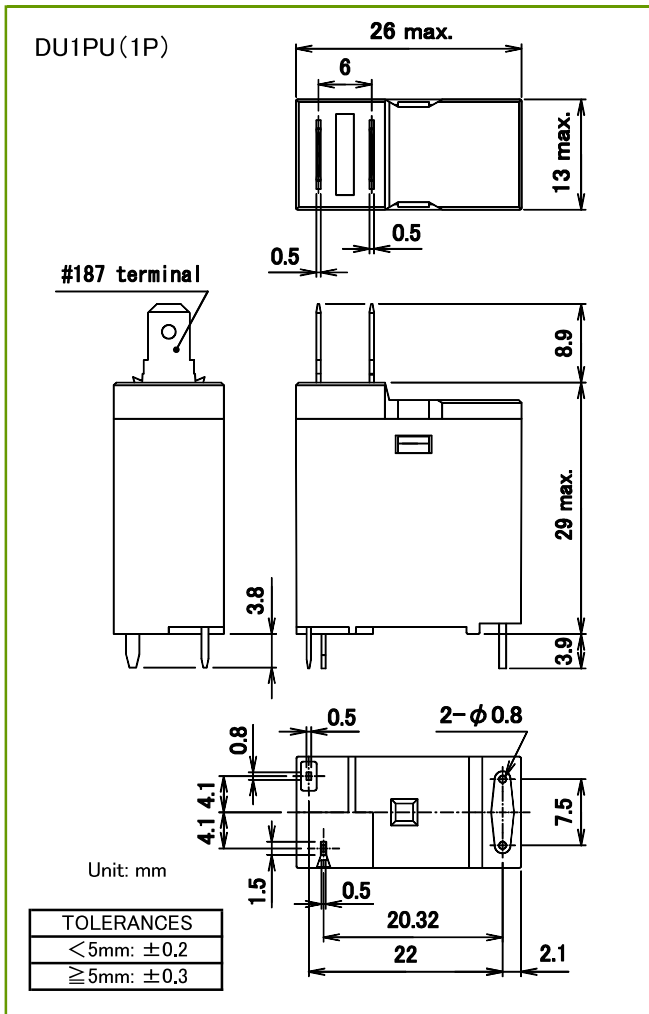
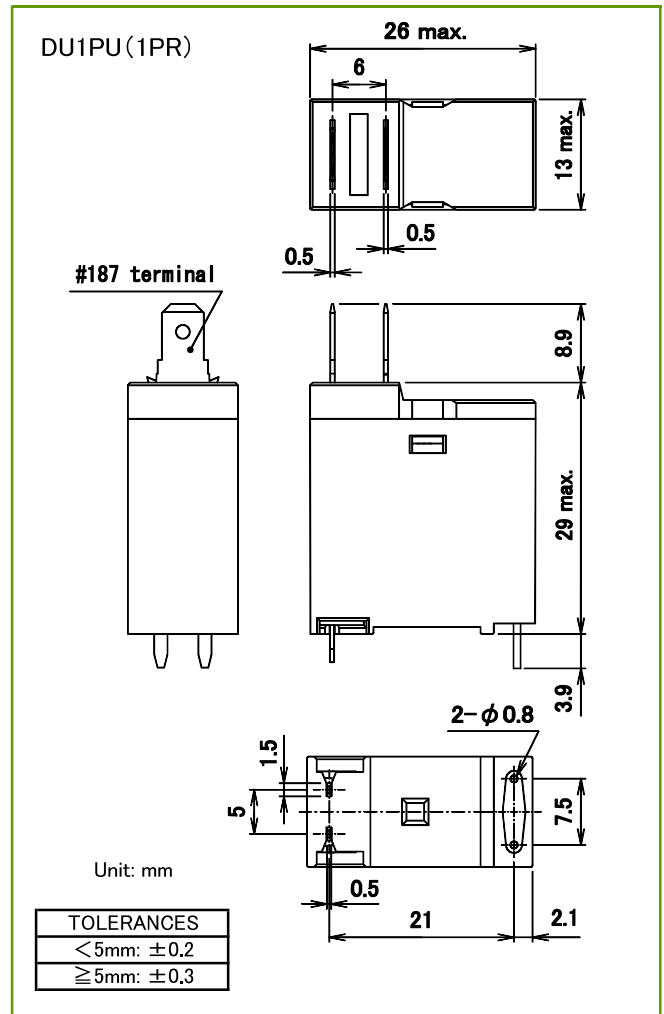


DU series

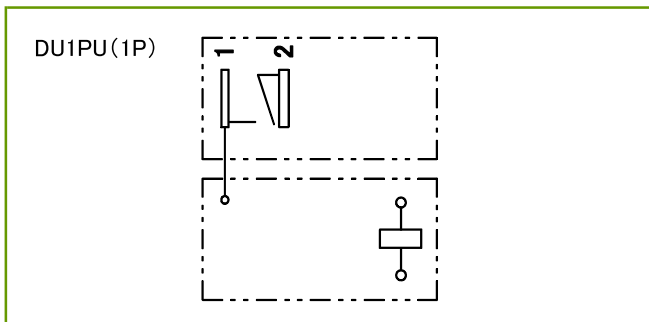
■ Dimensions



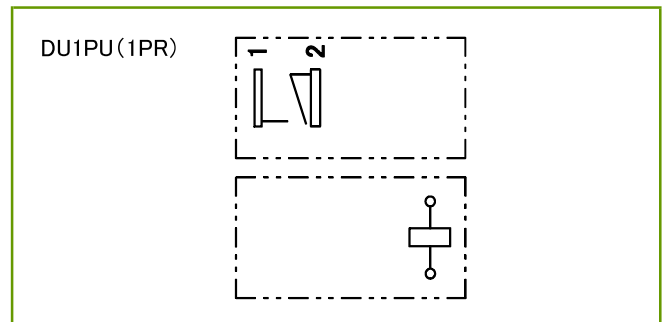
■ Dimensions



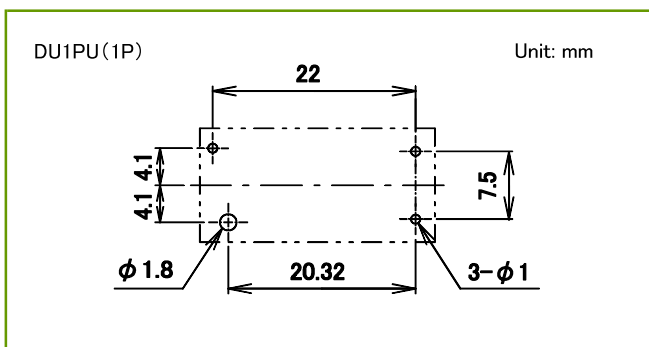
■ Schematics



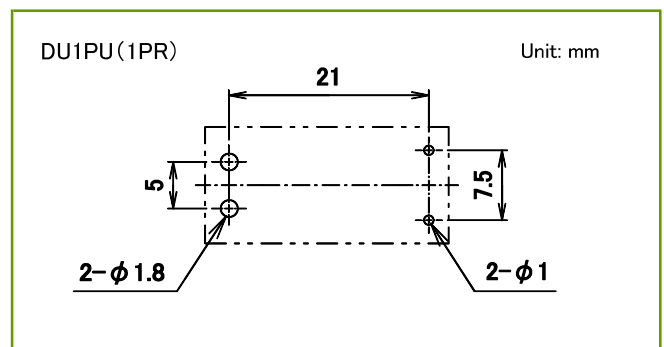
■ Schematics



■ PCB mounting holes (tolerances ±0.1)



■ PCB mounting holes (tolerances ±0.1)



DEC is a professional manufacturer of relays