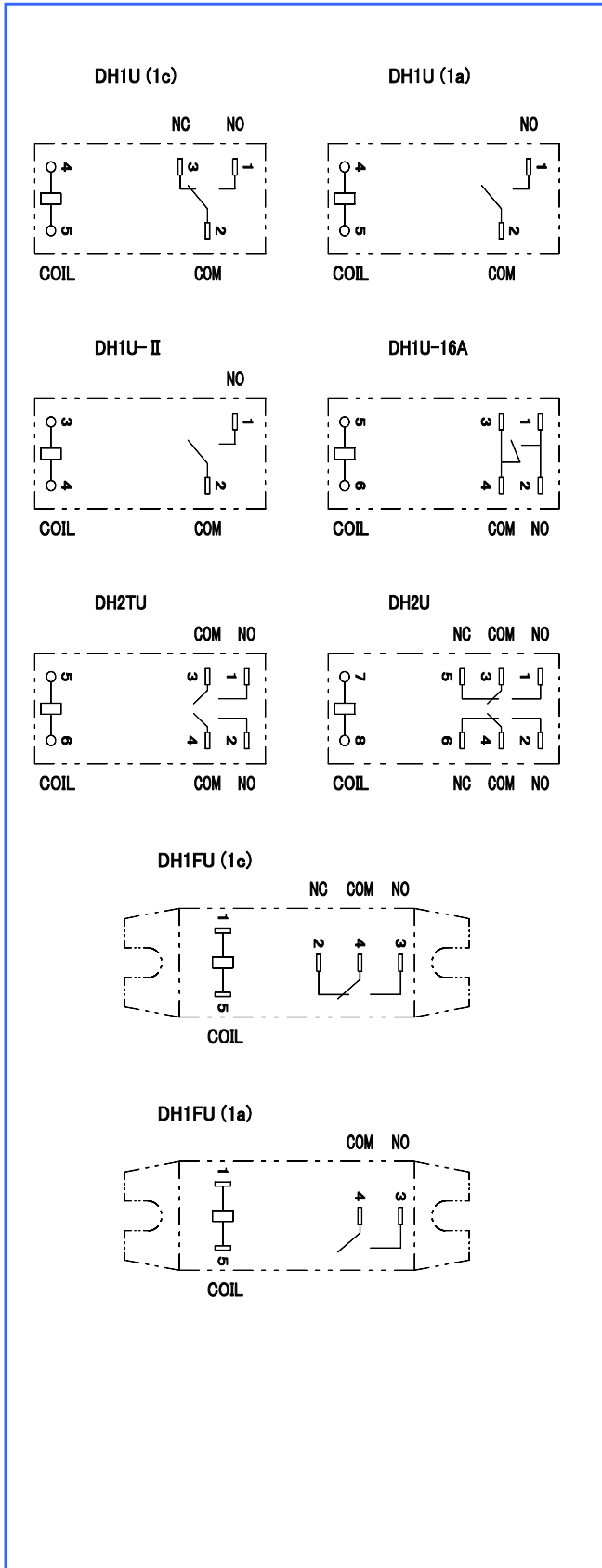
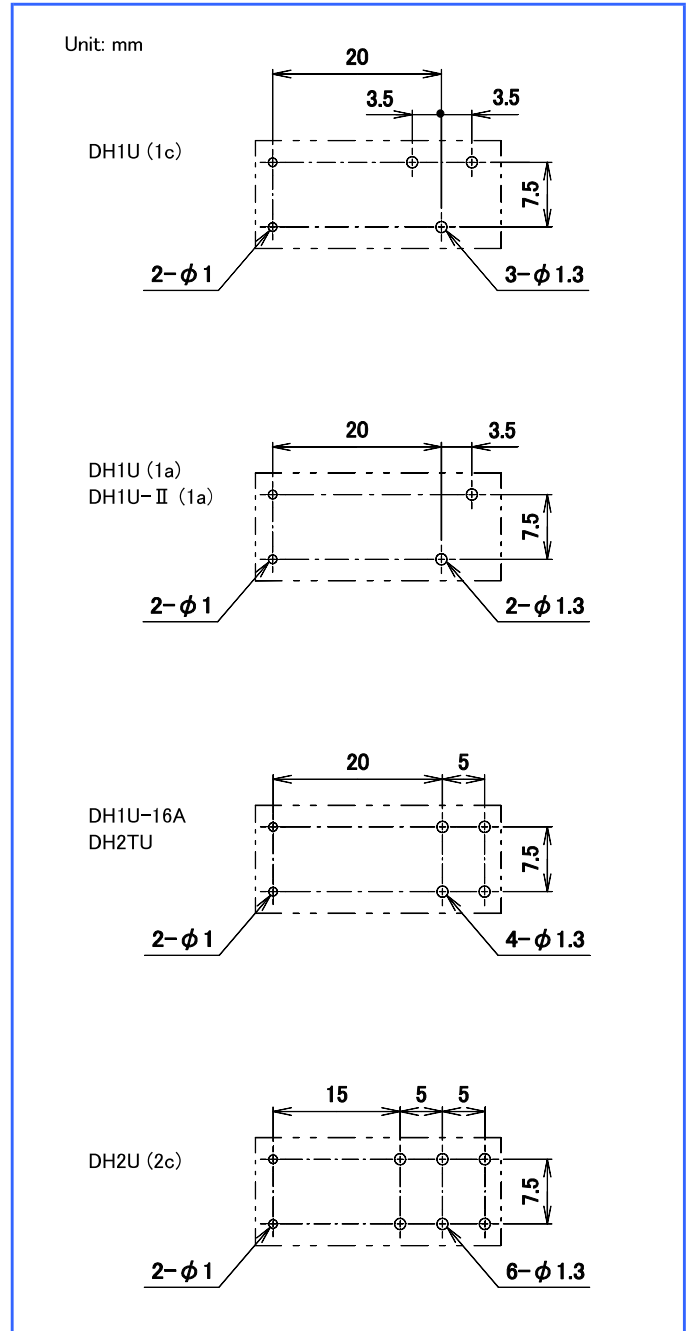


DH series

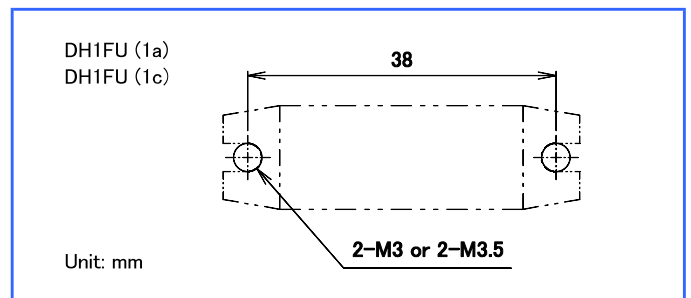
Schematics



PCB mounting holes (tolerances ±0.1)



Mounting holes (tolerances ±0.1)



DEC is a professional manufacturer of relays

DEC Daiichi Electric Co., Ltd.

<https://www.j-dec.co.jp>