

DK series

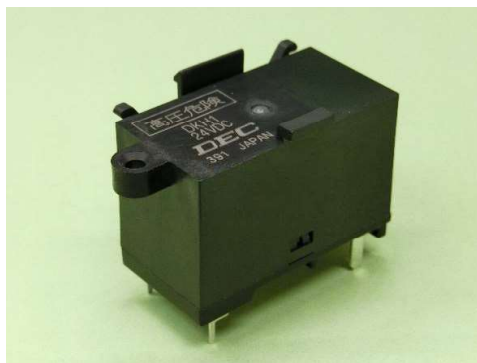
Power relay series pursuing reliability and safety



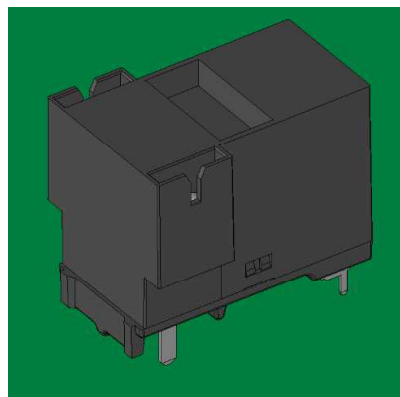
DK1
(for high voltage,
tab terminal type)



DK1 (PCB terminal type)



DKH1



DKH1-MG

■ It is currently suitable for use in such applications.

- Control panel, Power supply equipment
- Commercial equipment, Measuring instruments, Medical devices
- Various household appliances that handle high voltage
- Ideal for switching high voltage of microwave ovens
- Solar power system
- Electricity storage system
- Charging stand for electric vehicles and plug-in hybrid vehicles
- Various high voltage DC load control

DEC is a professional manufacturer of relays

DEC Daiichi Electric Co., Ltd.

<https://www.j-dec.co.jp>

DK series

■ Features

- Power relay specialized for controlling high-voltage equipment.
 - There are two types, direct mounting on case (panel or chassis) type and PCB mounting type.
 - For handling high-voltage, the contact circuit is equipped with a #250 tab terminal so that an insulated receptacle can be used.
- DK for type ○ Ideal for switching the capacity of high-voltage capacitors corresponding to 50Hz/60Hz power frequency of microwave ovens.
-
- DKH for type ○ High insulation design
 Between coil and contact: AC5000V 1min
 Between open contact : AC5000V 1min
-
- DKH-MG for type ○ Compatible with maximum DC500V 30A cutoff
 ○ No mounting polarity on the contact side. (Compatible with charging/discharging.)

■ Model numbering system

DK or DKH - -

Rated coil voltage: Numeric part indication	DC (V): 12, 17, 18, 24
Coil type	D: DC
Number of contact poles	1: 1 pole
Shape indication 1	O: PCB terminal F: Tab terminal (coil terminal: #187 tab terminal, contact terminal: #250 tab terminal), directly attached to panel or chassis
Contact configuration	(M): Make contact
Shape indication 2	MG: With magnet (DKH type only)

■ Safety standards

Electrical Appliances and Materials Safety Act	Conformable
--	-------------

■ Coil ratings

AC/DC	Item Voltage	Rated current (mA)	Coil resistance (Ω)	Operate voltage (V)	Release voltage (V)	Maximum voltage (V)	Hold voltage (V)	Power consumption (W)
				Ratio to rated voltage				
DC	12	75	160	80% max.	10% min.	110%	※② 55% to 70% (DKH type only)	0.9 (Applied coil voltage 100%)
	17	51.5	330	※① 150% to 250% (Applied time 0.3 to 1s)				0.27 (Applied coil voltage 55%, DKH type only)
	18	50	360	DKH type only double voltage operation.				
	24	37.5	640					

- Notes:
- Rated current and coil resistance are values at coil temperature of 20°C, tolerance is ±10%.
 - Operate voltage and release voltage are values at coil temperature of 20°C.
 - Maximum voltage is the maximum value of the allowable voltage fluctuation range of the relay coil operating power supply with the ambient temperature at 20°C.
 - For the DKH type, be sure to use the holding voltage of ※② after double voltage operation of ※①.
 - For the DKH type, please use a varistors to absorb surges from the coil.
Please note that if a diode is used, the release time will be longer and the performance will not be guaranteed.

※Barista selection guideline

Varistor voltage: 1.5 times or more of coil rated voltage.

Please note that setting the varistor voltage high will affect the surge absorption effect.

DK series

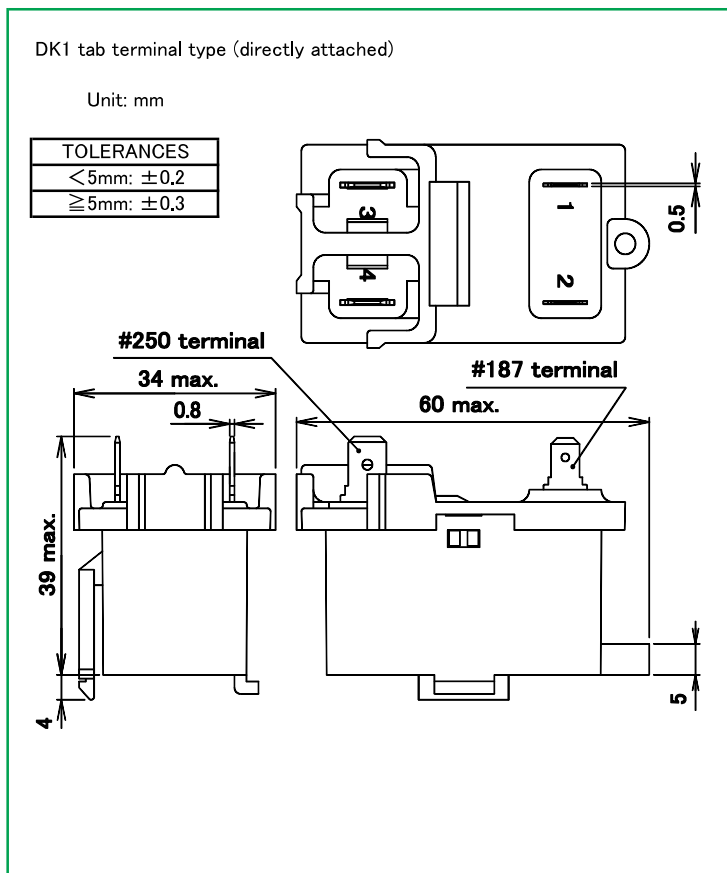
■ Ratings*Performance

Specifications	Item	Performance			
		DK	DKH	DKH-MG	
Contact specification	Contact configuration	1a			
	Contact resistance (at DC6V 1A)	50mΩ max.		100mΩ max.	
	Contact material	Ag alloy			
Ratings	Rated load	Resistive load	AC3400V 0.6A	—	DC500V 30A
		Inverter load	—	AC200V 30A	—
	Max. switching capacity	Resistive load	2040VA	—	15 000W
		Inverter load	—	6000VA	—
	Max. switching voltage	AC4000V	AC200V	DC500V	
Max. switching current	0.6A	30A			
Electrical capability	Insulation resistance		100MΩ min. (at DC500V)		
	Dielectric strength	Between coil and contact	AC4000V 1 min	AC5000V 1 min	AC4000V 1 min
		Between open contact	AC4000V 1 min (PCB type: AC2900V 1 min)	AC5000V 1 min	AC2500V 1 min
	Impulse withstand voltage (between coil and contact)		10 000V min. (1.2 × 50 μ s)		
	Operate time (at rated voltage on, at 20°C)		25ms max. (excluding contact bounce time)		
	Release time (at rated voltage off, at 20°C)		25ms max. (excluding contact bounce time)		
Mechanical capability	Vibration resistance	Malfunction	10 to 55 to 10Hz (double amplitude 1.5mm)	10 to 55 to 10Hz (double amplitude 1.0mm)	
		Destruction	10 to 55 to 10Hz (double amplitude 1.5mm)		
	Shock resistance	Malfunction	100m/s ²	80m/s ²	
		Destruction	500m/s ²		
Life	Mechanical endurance		500 000 times min. (at 180 times/min)	300 000 times min. (at 12 times/min)	
	Electrical endurance (at rated load)		10 000 times min. (at 20 times/min)	100 000 times min. (at 12 times/min)	10 000 times min. (at 6 times/min)
Conditions for operation	Ambient temperature		-20°C to +60°C (no freezing and condensing at low temperature)		-20°C to +85°C (no freezing and condensing at low temperature)
	Ambient humidity		5% to 85%RH	45% to 85%RH	
Mass			approx. 34g	approx. 48g	approx. 55g

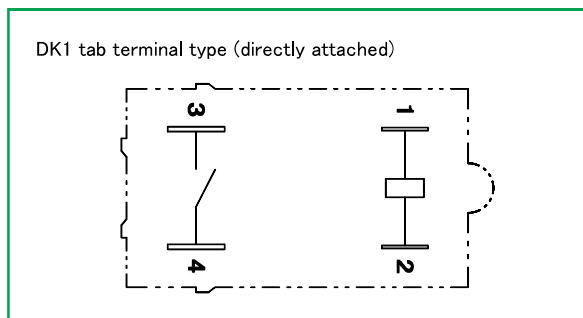
● Notes: The above is the initial value.

DK series

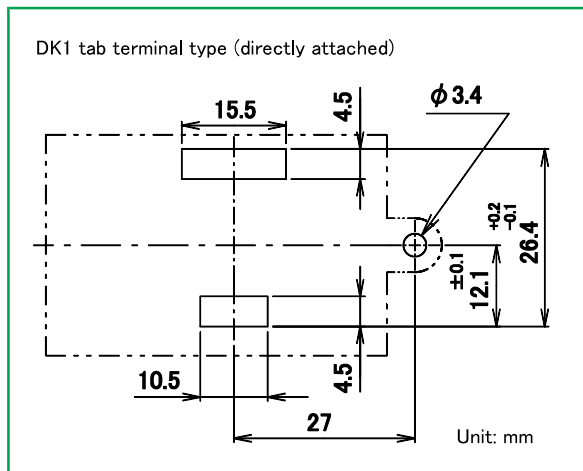
■ Dimensions



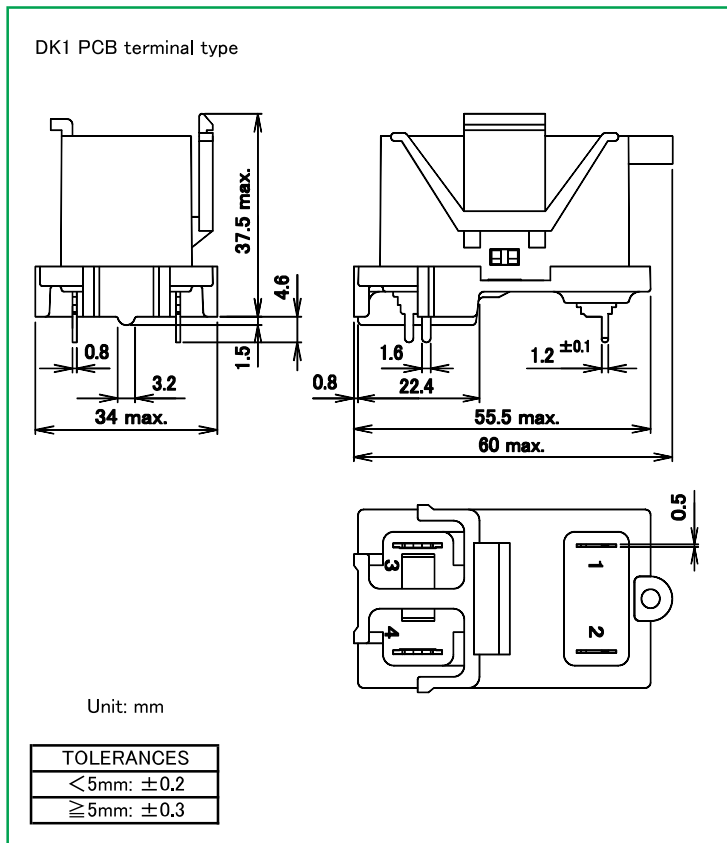
■ Schematics



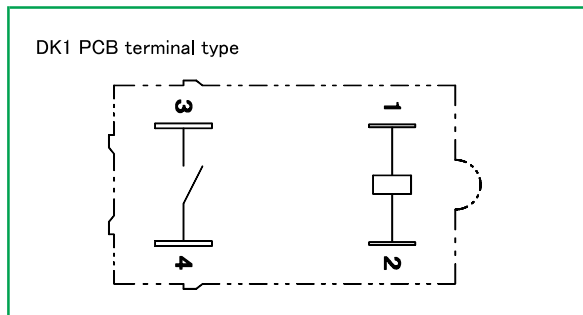
- Mounting holes of panel or chassis (case) (tolerance ±0.2mm)
Recommended plate thickness 0.4 to 0.8mm



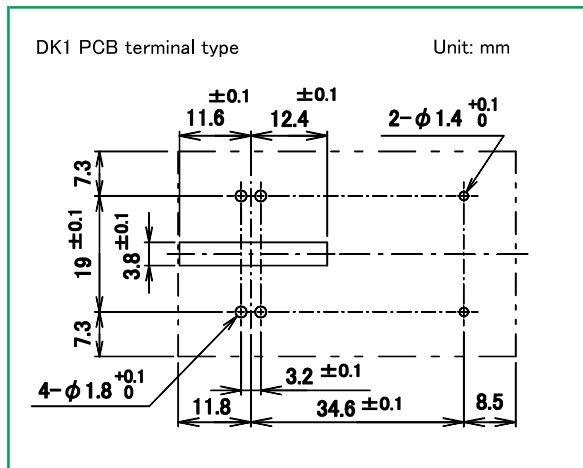
■ Dimensions



■ Schematics

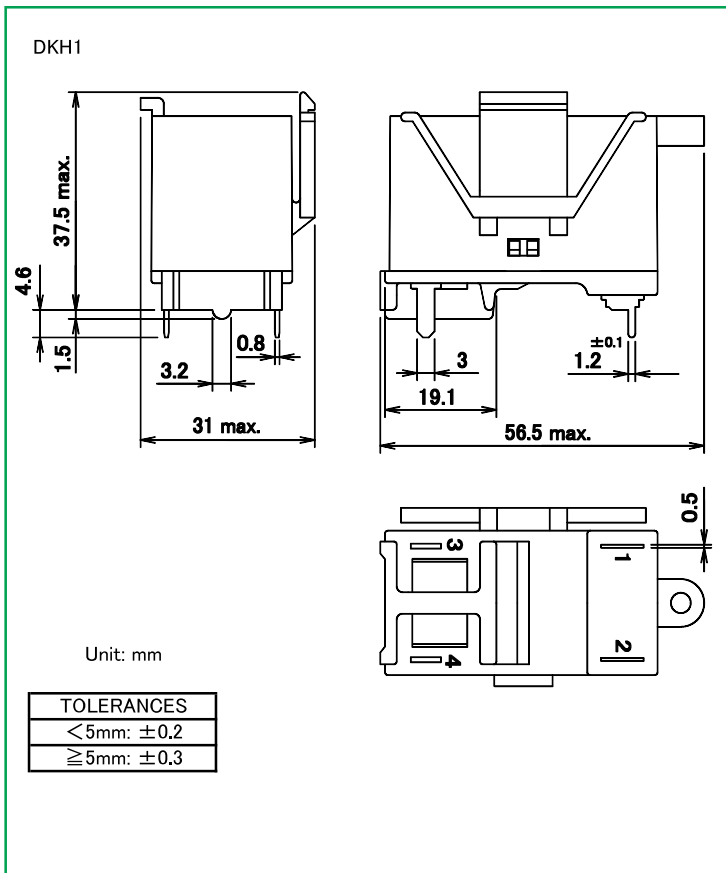


- PCB mounting holes

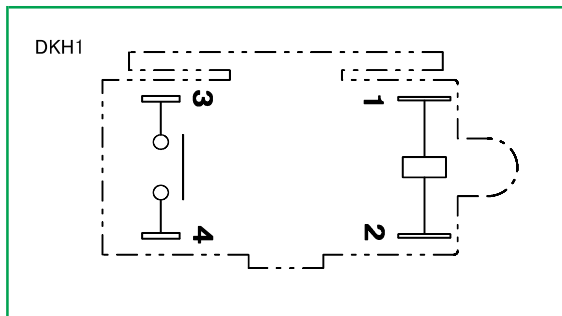


DK series

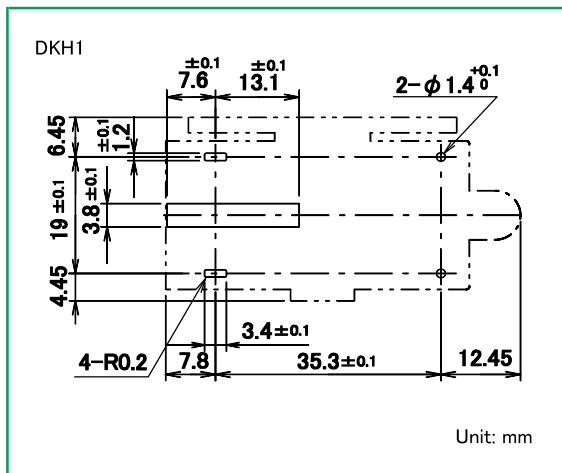
■ Dimensions



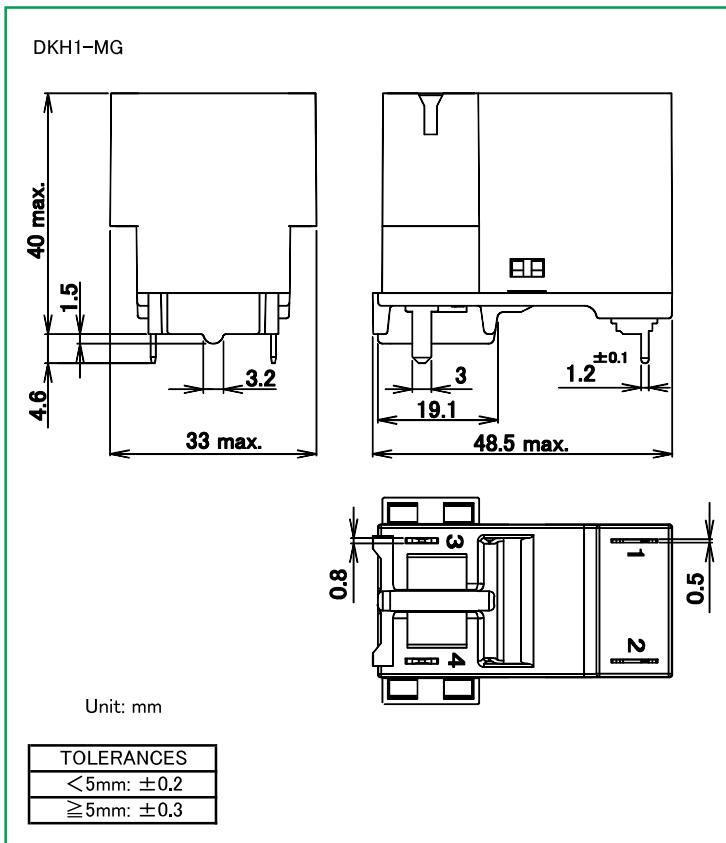
■ Schematics



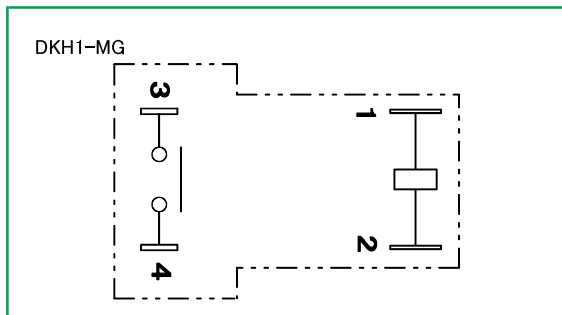
■ PCB mounting holes



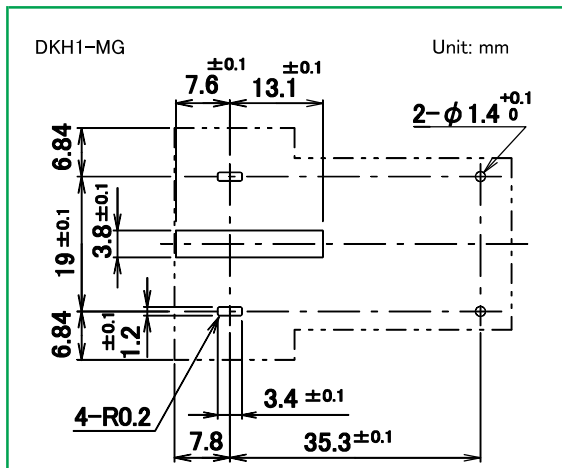
■ Dimensions



■ Schematics



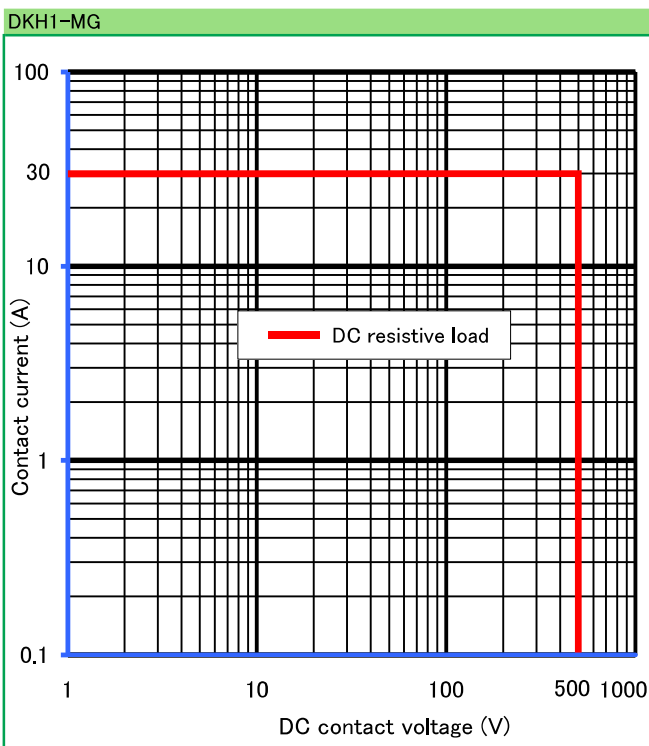
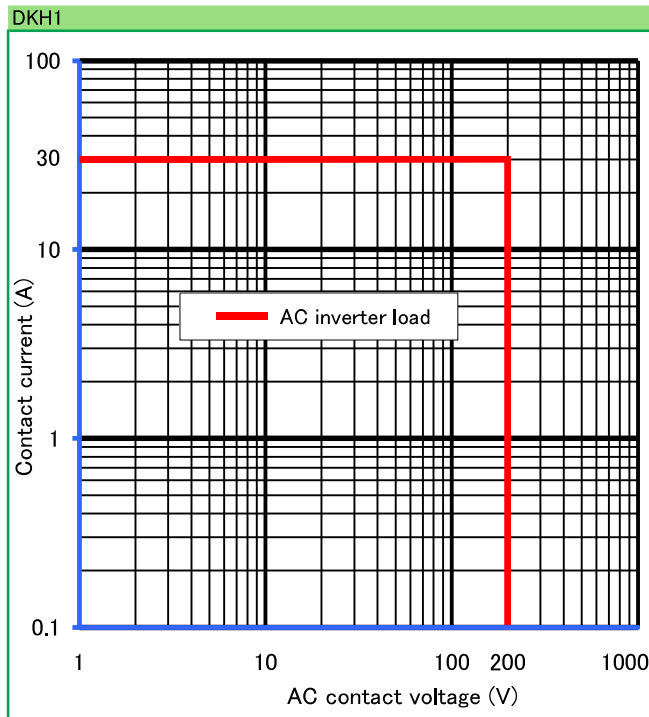
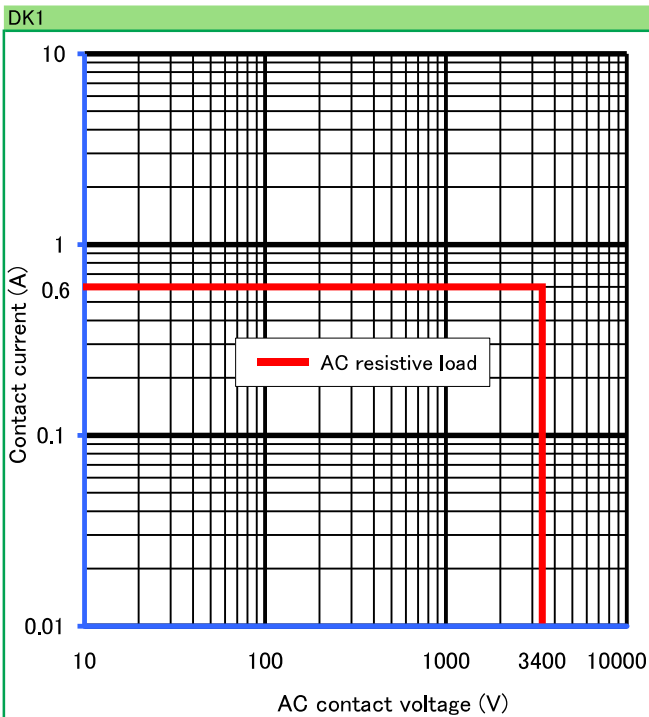
■ PCB mounting holes



DK series

Reference data

Maximum switching capacity



● Please understand that specifications may be changed without notice due to product improvement etc. ● Dimensions and specifications indicate only major points. Please contact our sales representatives for details.

DEC is a professional manufacturer of relays

DEC Daiichi Electric Co., Ltd.

Head office 2-2, Noge 3-chome, Setagaya-ku, Tokyo 158-0092, Japan

Phone +81-3-3703-5421

Facsimile +81-3-3703-5426

U R L <https://www.j-dec.co.jp> E-Mail: sales@j-dec.co.jp

Agency