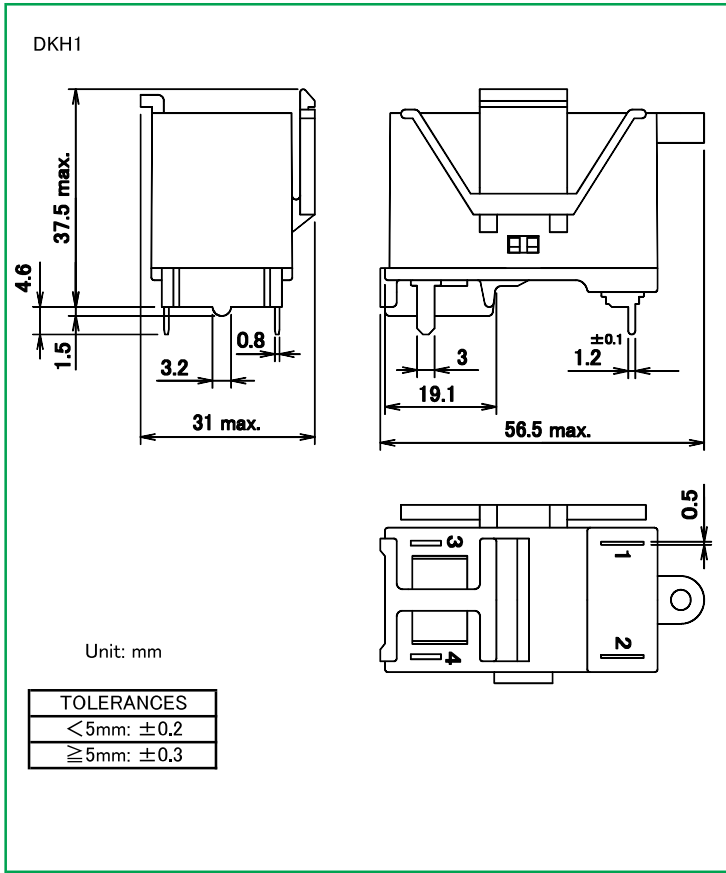
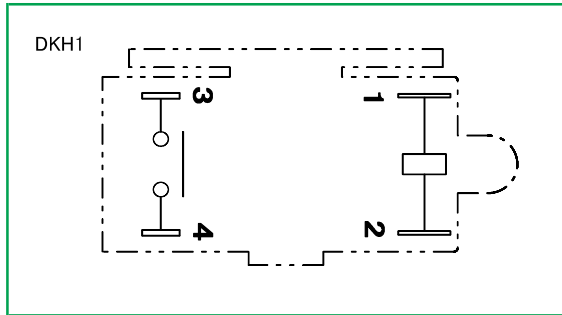


DK series

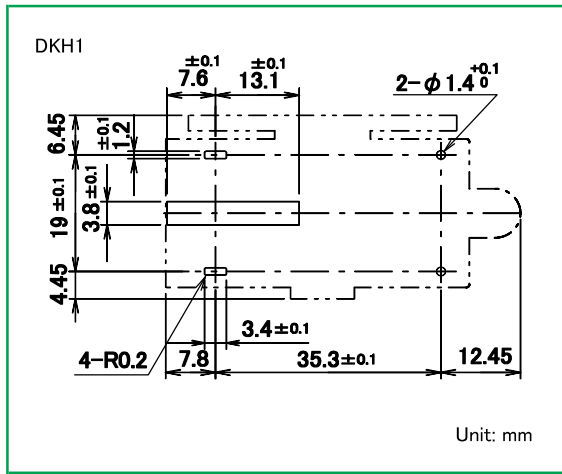
■ Dimensions



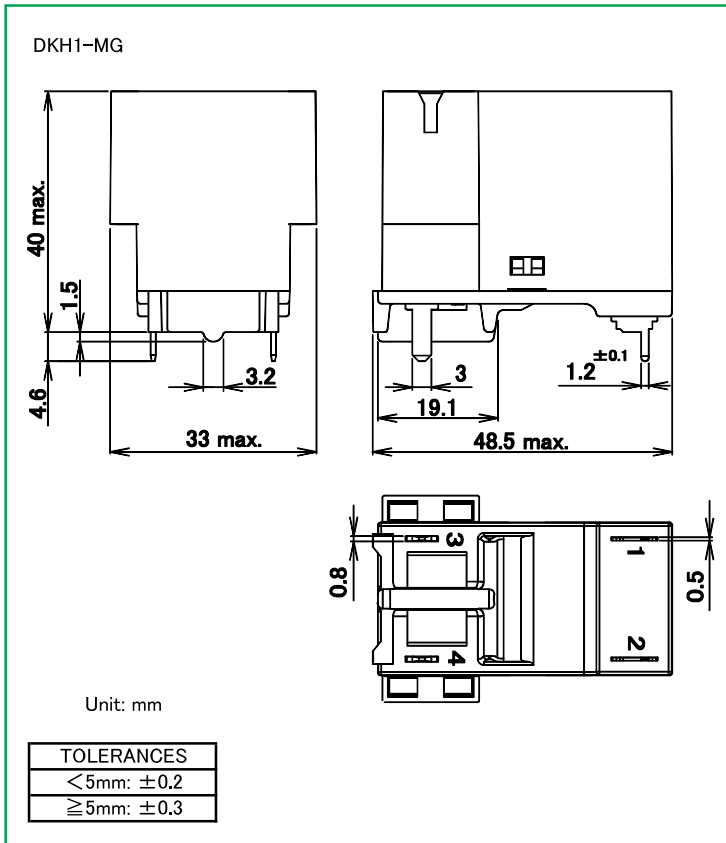
■ Schematics



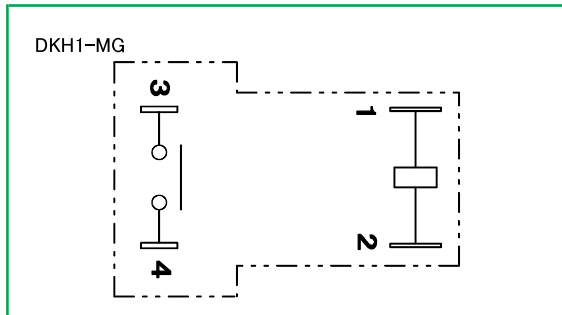
■ PCB mounting holes



■ Dimensions



■ Schematics



■ PCB mounting holes

