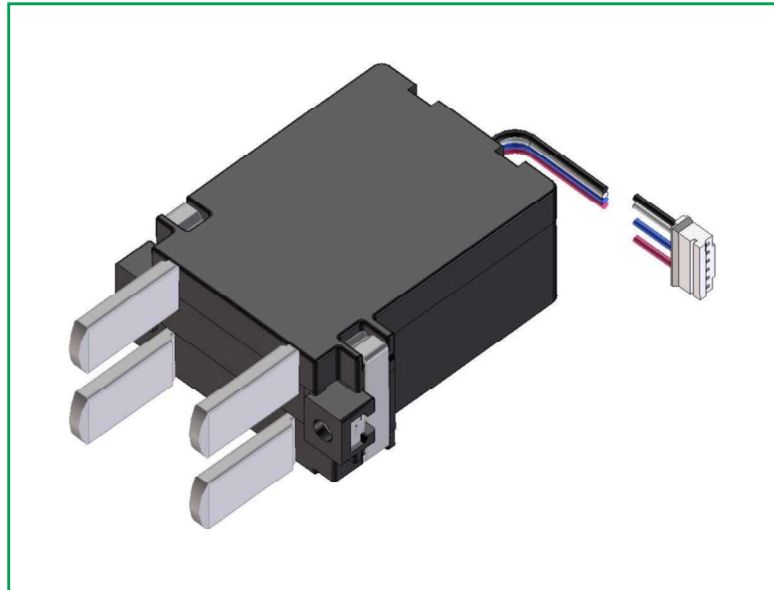


Power latching relay

DUR10



■ It is currently suitable for use in such applications.

- Electricity meters
- Time switch
- Other industrial equipment

DEC is a professional manufacturer of relays

DEC Daiichi Electric Co., Ltd.
<https://www.j-dec.co.jp>

DUR10

■ Features

- Contact rating AC230V 60A
- 2-poles latching type
- With auxiliary contact to detect open/close status

■ Coil ratings

| AC/DC | Voltage (V) | Item | Operate voltage (-25°C to +85°C) | Exciting time | Coil resistance (Ω) (at 20°C) | Power consumption (at 20°C) | Maximum voltage |
|-------|--|-------------------------------------|----------------------------------|--|-------------------------------|------------------------------|-----------------------------------|
| | | | | | | | |
| DC | 5 | 85% max. of rated voltage (Initial) | | 50 to 150ms Duty factor 1/2 max. | 6.25 | 4W | 1.5 times the rated voltage |
| | 12 | | | | 36 | | |
| AC | 100V/200V For half wave rectification | | | 50 to 150ms Duty factor 100V 1/10 max. 200V 1/40 max. | 770 | 100V 11.4W 200V 46W (rms) | AC230V Half wave rectification |

■ Ratings*Performance

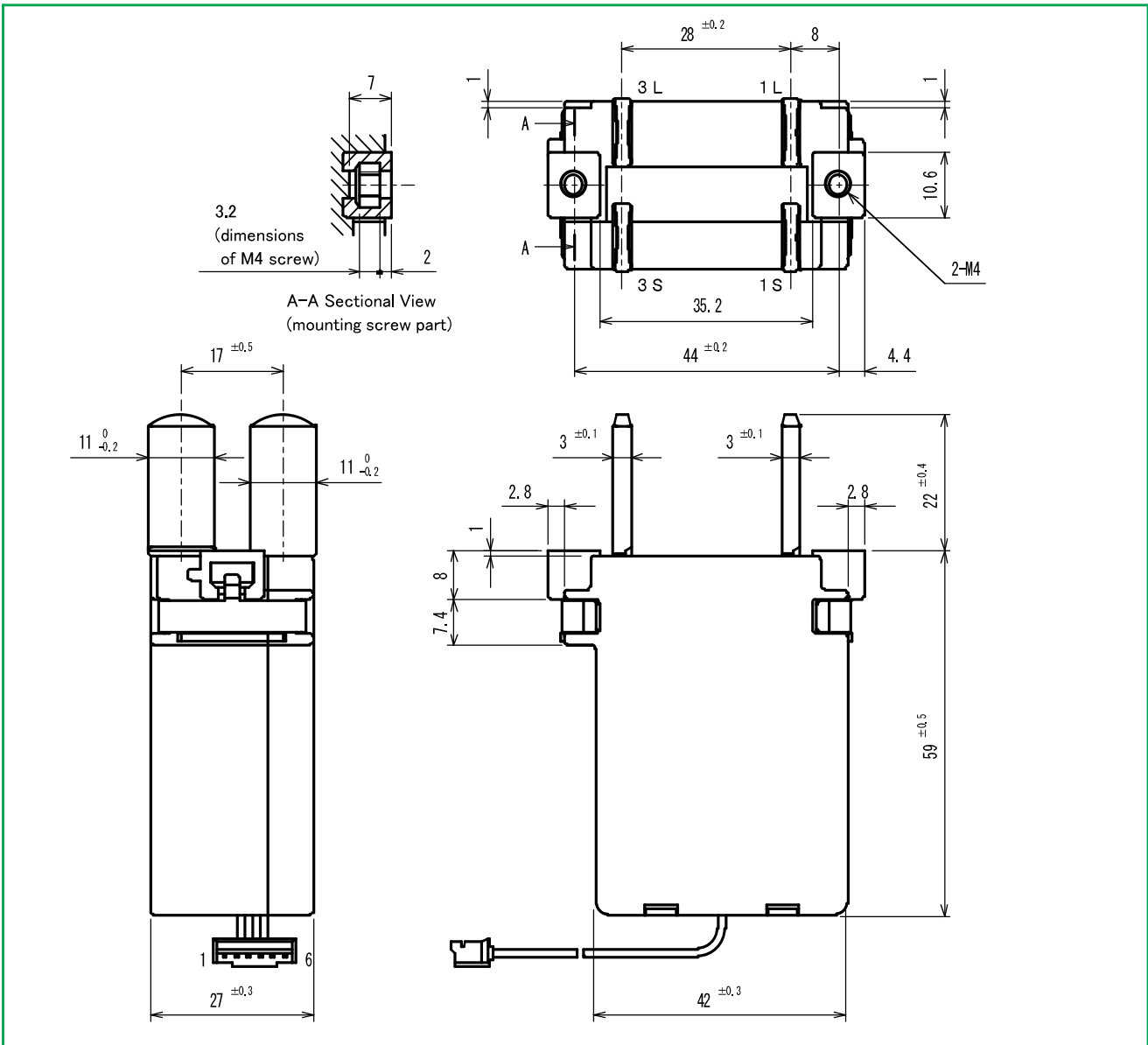
| Item | | Performance | Notes |
|-----------------------|--|--|---|
| Main Contact | Contact configuration | 2a | |
| | Contact material | Ag alloy | |
| | Rated current | AC60A | |
| | Max. switching voltage | AC230V | |
| | Over-current capability | AC90A 20min AC1200A 0.5s | |
| Auxiliary Contact | Contact resistance | 0.5mΩ max. | DC6V 1A |
| | Contact configuration | 1a | |
| | Contact material | Au plated | |
| Switching capability | Electrical endurance | DC3 to 10V, DC0.3 to 10mA | Resistive load |
| | | AC200V 30A 20 000 times min. AC100V 60A 3000 times min. AC100V 90A 1000 times min. | |
| Operate time | Mechanical endurance | 100 000 times min. | |
| Temperature rise | Temperature rise at connecting terminals | 20ms max. (excluding contact bounce time) | |
| | | AC33A 15°C max. AC66A 40°C max. | 8mm ² × 1.5m with wire connection 14mm ² × 1.5m with wire connection |
| Insulation capability | Insulation resistance | | DC500V 1000MΩ min. |
| | Dielectric strength | Between open contact | AC2000V 50/60Hz 1min |
| | | Between contact and coil | AC4000V 50/60Hz 1min |
| Mechanical capability | Surge withstand voltage | Between contact and coil | 10kV (1.2 × 50 μs) 3 times each for positive and negative polarity |
| | Vibration resistance | 16.7Hz double amplitude 4.8mm 1h | |
| Shock resistance | | Malfunction | 500m/s ² (half-sine pulse 11ms) |
| | Destruction | 1000m/s ² (half-sine pulse 0.2 to 6ms) | |
| Usage environment | Usage and storage conditions | | Temperature: -25°C to +70°C Humidity: 90%RH max. ※ Prolonged high temperature and humidity are not allowed. |
| | Others | | No influence of corrosive gases such as sulfide gas |
| Mass | | | Approx. 150g |

DEC is a professional manufacturer of relays

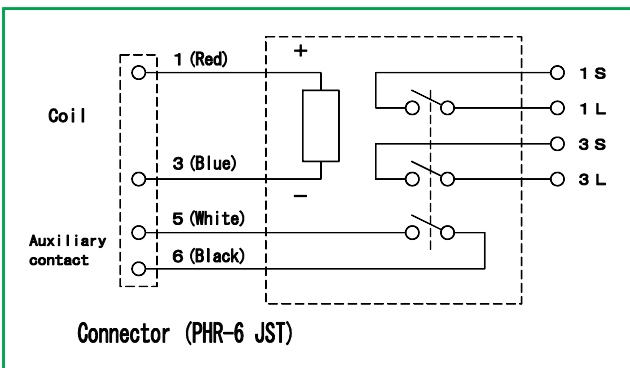
DEC Daiichi Electric Co., Ltd.
<https://www.j-dec.co.jp>

DUR10

■ Dimensions



■ Schematics



● Please understand that specifications may be changed without notice due to product improvement etc. ● Dimensions and specifications indicate only major points. Please contact our sales representatives for details.

DEC is a professional manufacturer of relays

DEC Daiichi Electric Co., Ltd.

Head office 618-2, Miharada, Akagi-machi, Shibukawa-shi, Gunma, 379-1126, Japan

Phone +81-279-56-3151

Facsimile +81-279-56-3154

U R L <https://www.j-dec.co.jp> E-Mail: sales@j-dec.co.jp

Agency

202411