

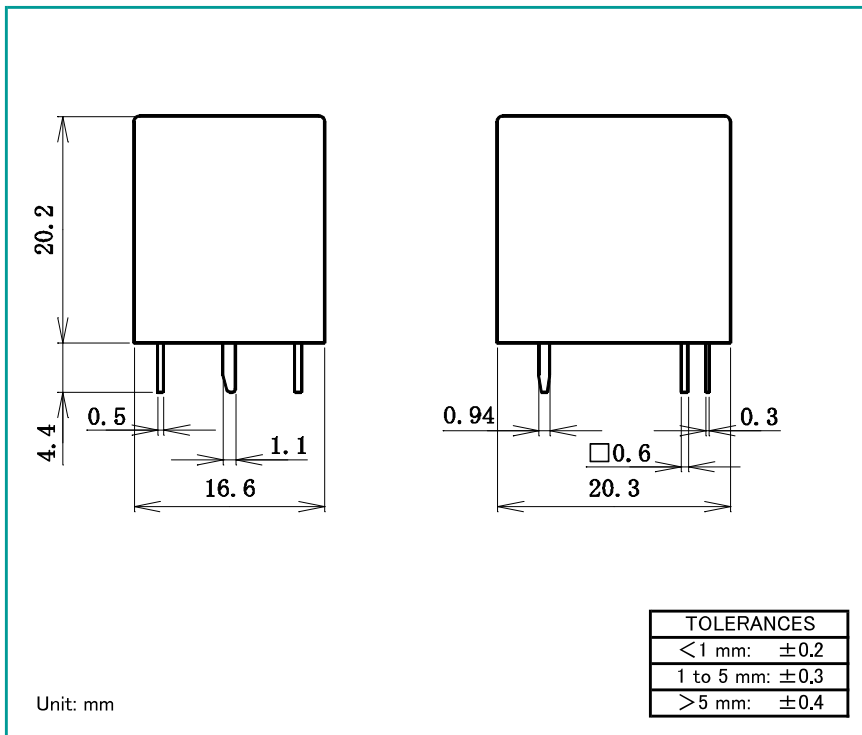
CJ series

■ Ratings • Performance

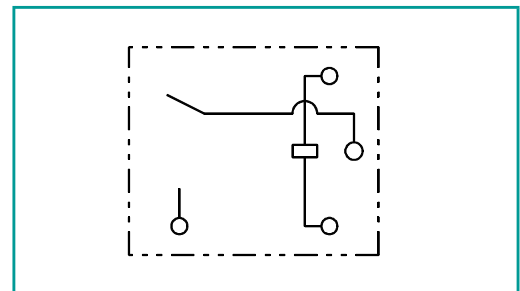
Specifications	Item	Performance	
Contact specification	Contact configuration	1a	
	Contact resistance	100mΩ max. (at DC6V 1A)	
	Contact material	Ag alloy	
Ratings	Rated load (resistive load)	AC250V 10A	
	Max. switching capacity (resistive load)	2500VA	
	Max. switching voltage	AC250V	
	Max. switching current	10A	
Electrical capability	Insulation resistance	100MΩ min. (at DC500V)	
	Dielectric strength	Between coil and contact	AC1500V 1 min
		Between open contact	AC750V 1 min
	Operate time (at rated voltage on, at 20°C)	10ms max. (excluding contact bounce time)	
	Release time (at rated voltage off, at 20°C)	5ms max. (excluding contact bounce time)	
Mechanical capability	Vibration resistance	Malfunction	10 to 55 to 10Hz (double amplitude 1.5mm)
		Destruction	10 to 55 to 10Hz (double amplitude 1.5mm)
	Shock resistance	Malfunction	100m/s ²
		Destruction	1000m/s ²
Life	Mechanical endurance (at 180 times/min)	1 000 000 times min.	
	Electrical endurance (resistive load) (at 6 times/min)	100 000 times min. (at rated load)	
Conditions for operation	Ambient temperature	-20°C to +60°C (no freezing and condensing at low temperature)	
	Ambient humidity	5% to 85%RH	
Mass		approx. 13g	

● Notes: The above is the initial value.

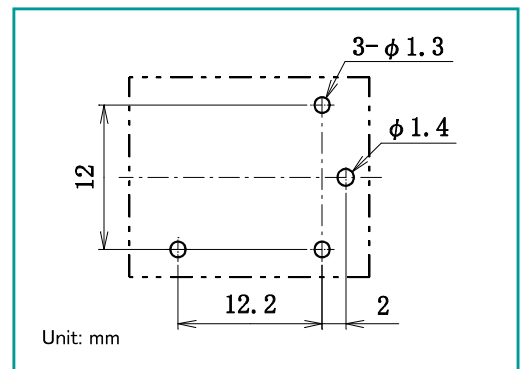
■ Dimensions



■ Schematics



■ PCB mounting holes (tolerances ±0.1)



DEC is a professional manufacturer of relays

DEC Daiichi Electric Co., Ltd.
<https://www.j-dec.co.jp>