

**DK**  
series

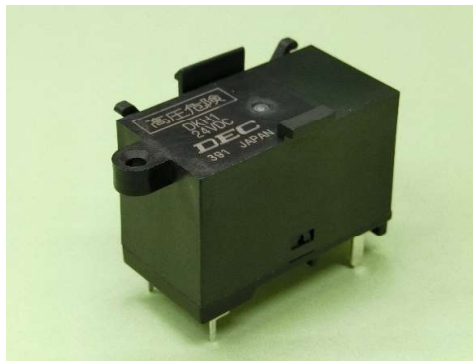
Power relay series pursuing reliability and safety



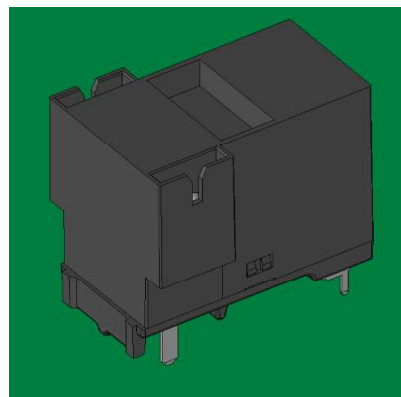
DK1  
(for high voltage,  
tab terminal type)



DK1 (PCB terminal type)



DKH1



DKH1-MG

■ It is currently suitable for use in such applications.

- Control panel, Power supply equipment
- Commercial equipment, Measuring instruments, Medical devices
- Various household appliances that handle high voltage
- Ideal for switching high voltage of microwave ovens
- Solar power system
- Electricity storage system
- Charging stand for electric vehicles and plug-in hybrid vehicles
- Various high voltage DC load control

DEC is a professional manufacturer of relays