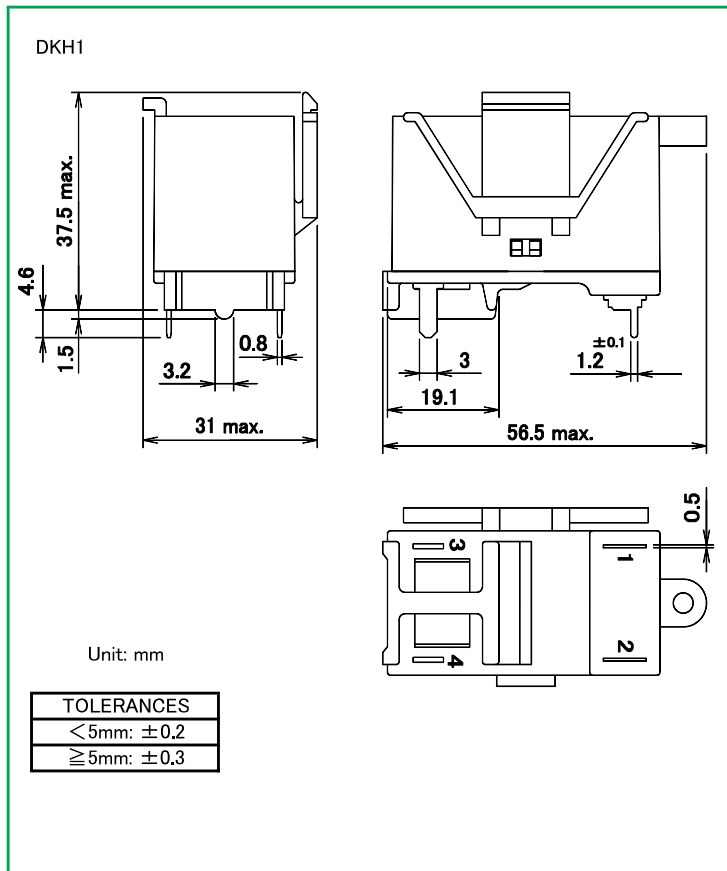
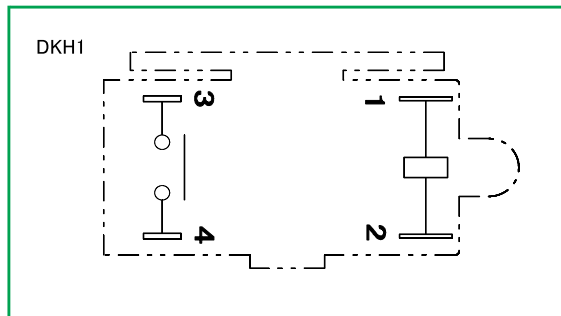


# DK series

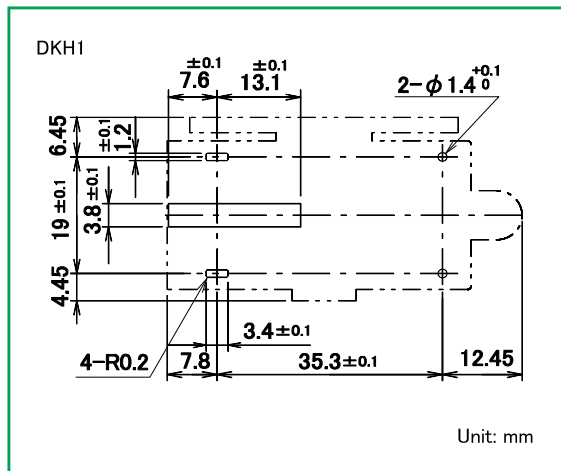
## ■ Dimensions



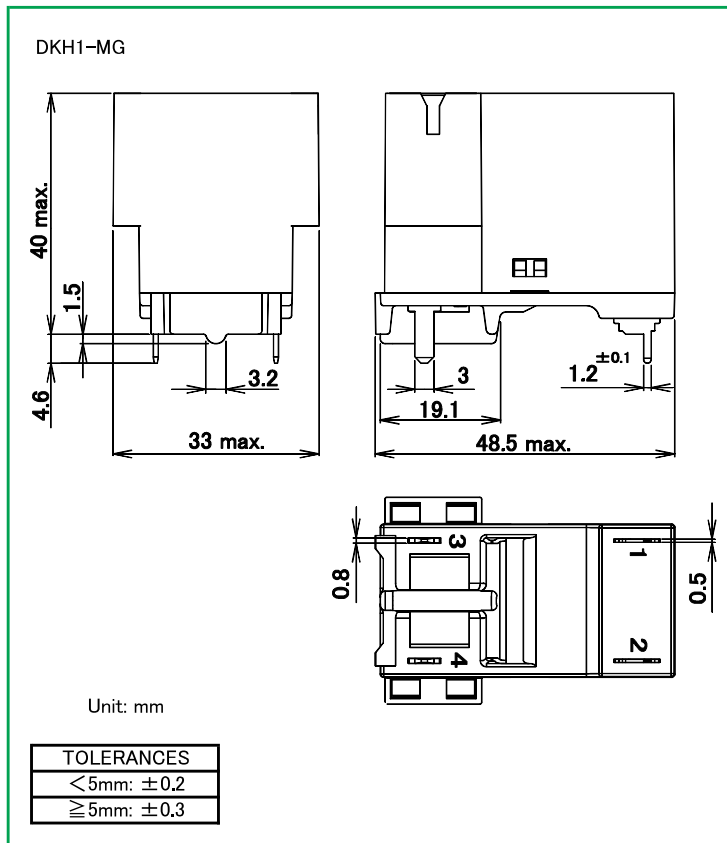
## ■ Schematics



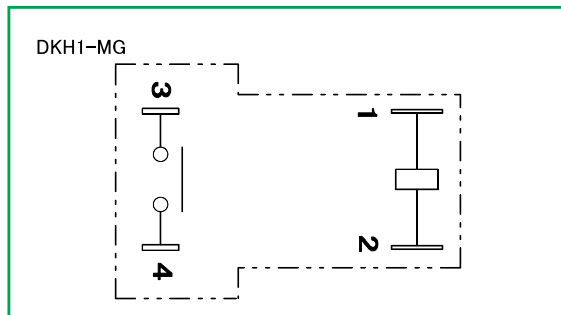
## ■ PCB mounting holes



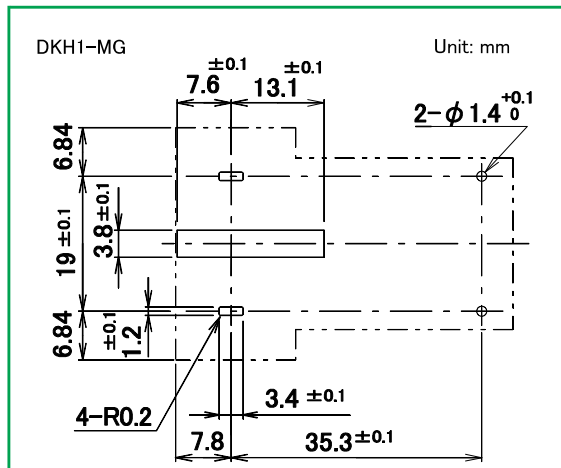
## ■ Dimensions



## ■ Schematics



## ■ PCB mounting holes



DEC is a professional manufacturer of relays

**DEC** Daiichi Electric Co., Ltd.

<https://www.j-dec.co.jp>