

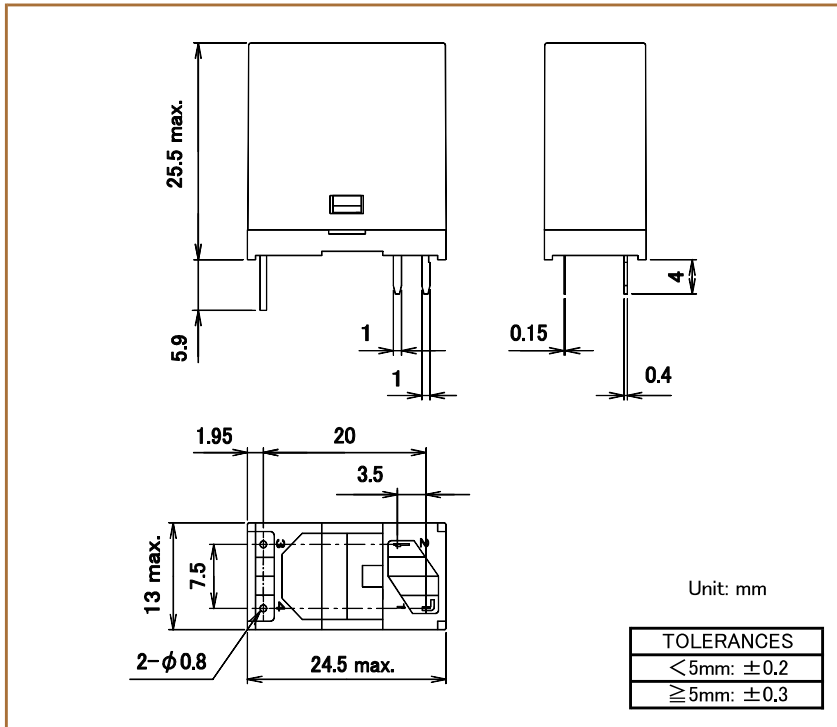
DLS series

■ Ratings • Performance

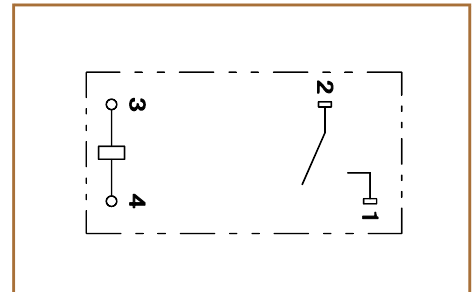
Specifications	Item	Performance	
		High sensitivity type Power consumption 0.15W/0.25W	Standard type Power consumption 0.53W
Contact specification	Contact configuration	1a	
	Contact resistance	50mΩ max. (at DC6V 1A)	
	Contact material	Ag alloy	
Ratings	Rated load (resistive load)	AC250V 5A	
	Max. switching capacity (resistive load)	1250VA	
	Max. switching voltage	AC250V	
	Max. switching current	5A, TV-5/TV-8	TV-10
Electrical capability	Insulation resistance	100MΩ min. (at DC500V)	
	Dielectric strength	Between coil and contact	AC4000V 1 min
		Between open contact	AC1000V 1 min
	Impulse withstand voltage (between coil and contact)	10 000V min. (1.2 × 50 μs)	
	Operate time (at rated voltage on, at 20°C)	15ms max. (excluding contact bounce time)	
Release time (at rated voltage off, at 20°C)	10ms max. (excluding contact bounce time)		
Mechanical capability	Vibration resistance	Malfunction	10 to 55 to 10Hz (double amplitude 1.5mm)
		Destruction	10 to 55 to 10Hz (double amplitude 1.5mm)
	Shock resistance	Malfunction	100m/s ²
		Destruction	1000m/s ²
Life	Mechanical endurance (at 180 times/min)	1 000 000 times min.	
	Electrical endurance (resistive load) (at 20 times/min)	50 000 times min. (at rated load)	
Conditions for operation	Ambient temperature	-40°C to +70°C (no freezing and condensing at low temperature)	
	Ambient humidity	5% to 85%RH	
Mass		approx. 15g	

● Notes: The above is the initial value.

■ Dimensions



■ Schematics



■ PCB mounting holes (tolerances ±0.1)

