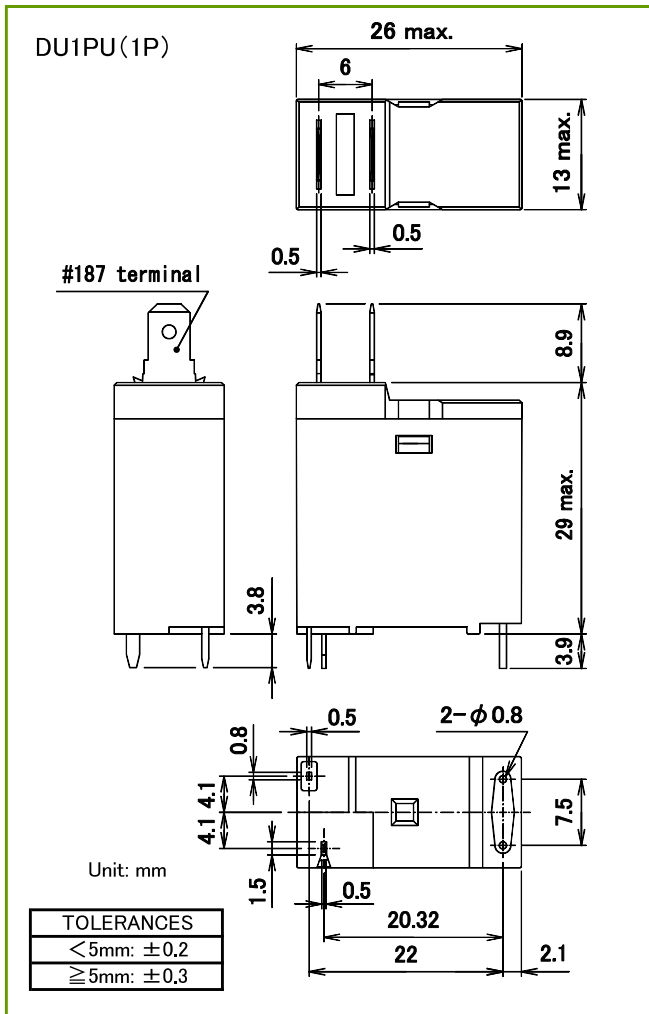
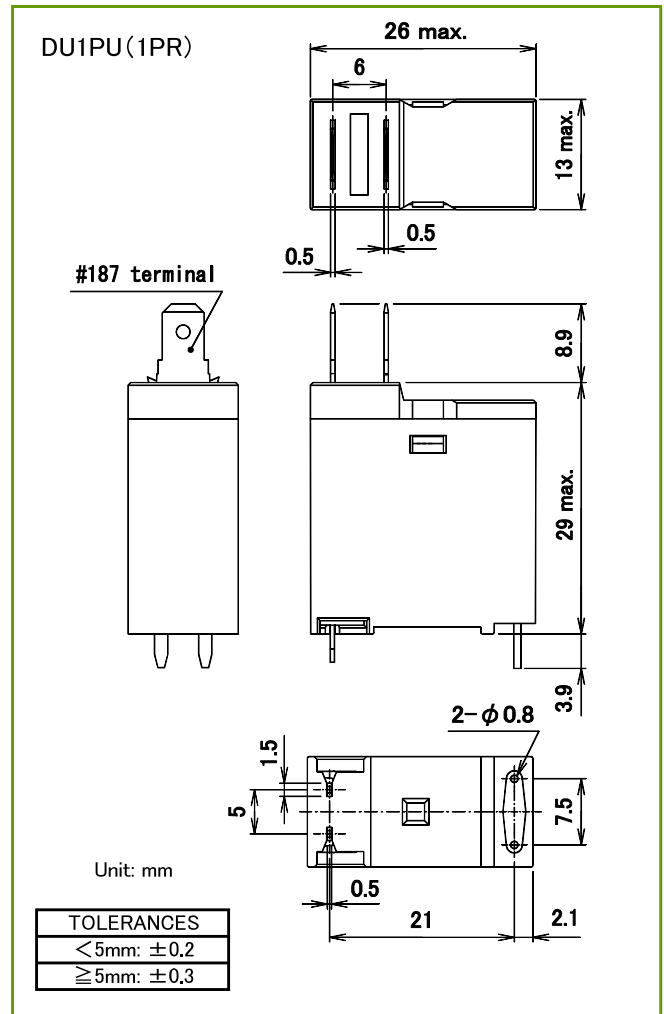


DU series

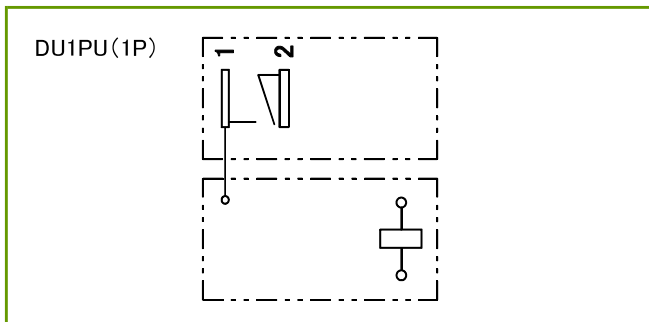
■ Dimensions



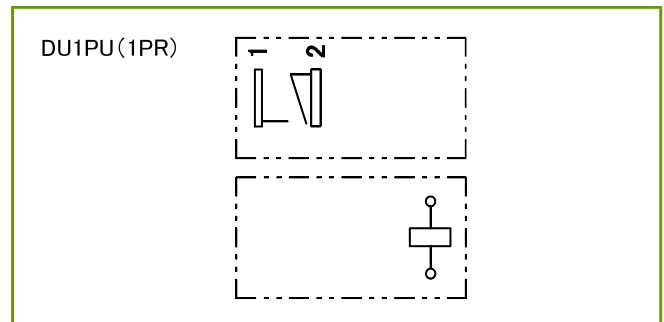
■ Dimensions



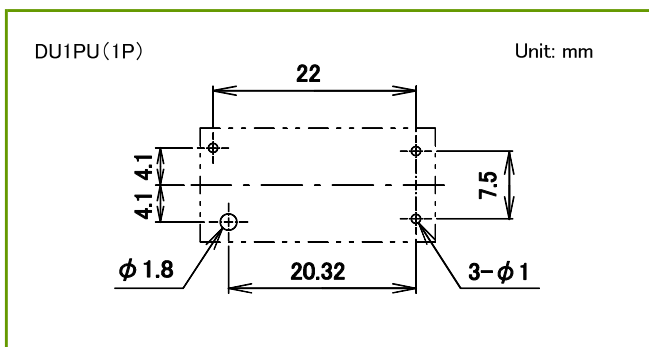
■ Schematics



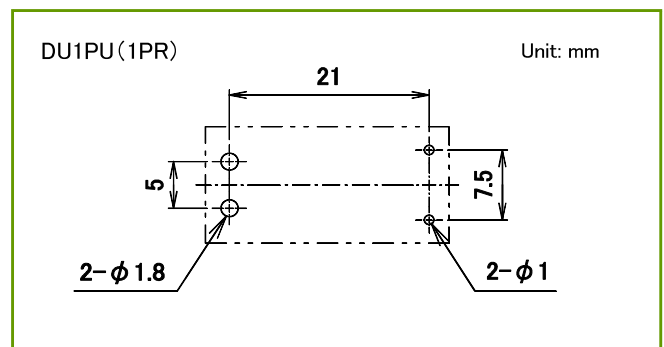
■ Schematics



■ PCB mounting holes (tolerances ± 0.1)



■ PCB mounting holes (tolerances ± 0.1)



DEC is a professional manufacturer of relays

DEC Daiichi Electric Co., Ltd.

<https://www.j-dec.co.jp>