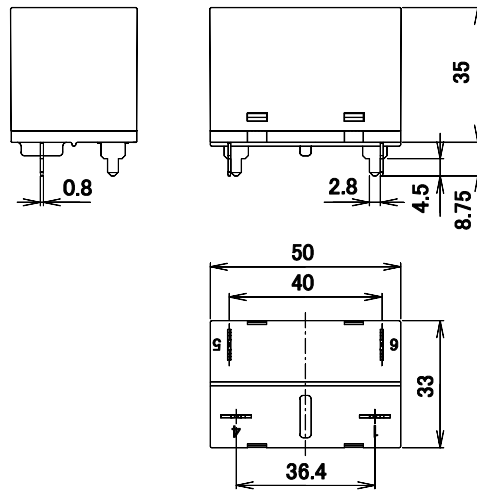


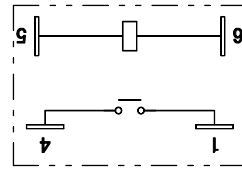
EL series

EL1U-O
(1 pole PCB terminal type)

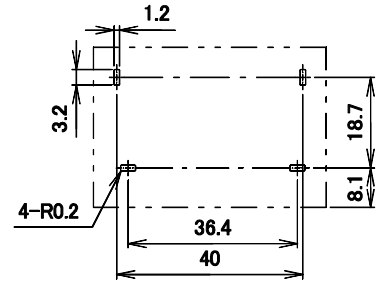
■ Dimensions



■ Schematics



■ PCB mounting holes (tolerances ± 0.1)

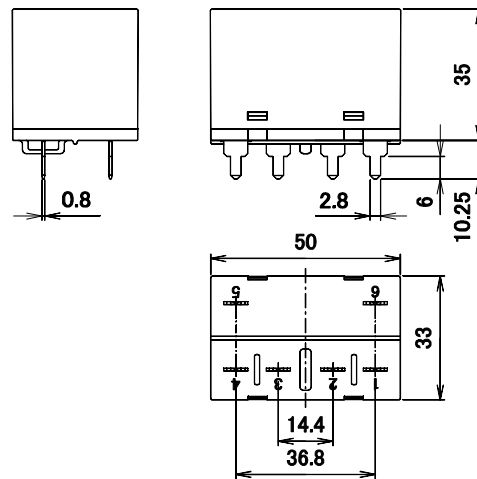


Unit: mm

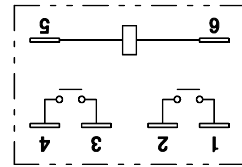
TOLERANCES	
< 5mm:	± 0.2
≥ 5 mm:	± 0.3

EL2U-O
(2 poles PCB terminal type)

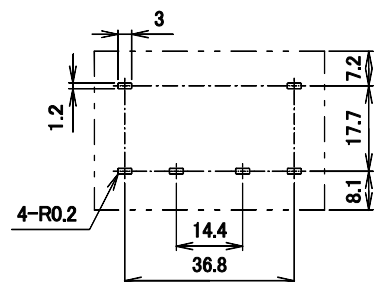
■ Dimensions



■ Schematics



■ PCB mounting holes (tolerances ± 0.1)

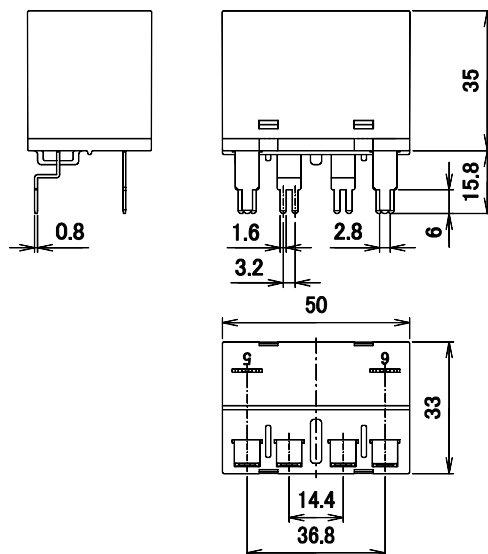


Unit: mm

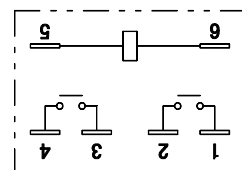
TOLERANCES	
< 5mm:	± 0.2
≥ 5 mm:	± 0.3

EL2U-O
(2 poles PCB terminal, high capacity type)

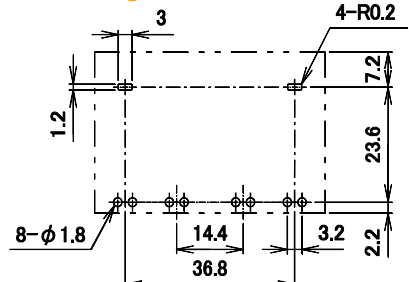
■ Dimensions



■ Schematics



■ PCB mounting holes (reference)



Unit: mm

TOLERANCES	
< 5mm:	± 0.2
≥ 5 mm:	± 0.3

DEC is a professional manufacturer of relays

DEC Daiichi Electric Co., Ltd.

<http://www.j-dec.co.jp>