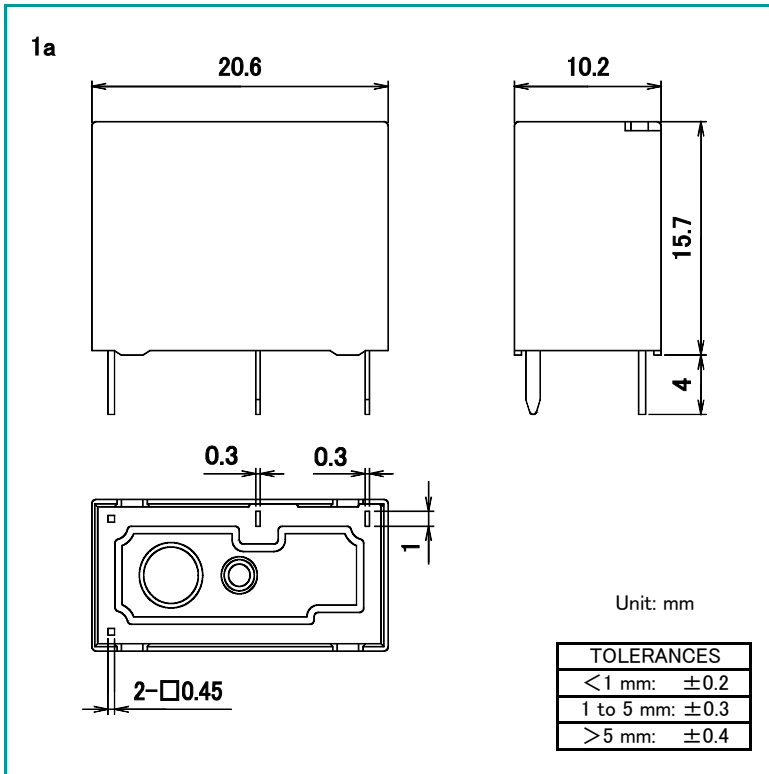
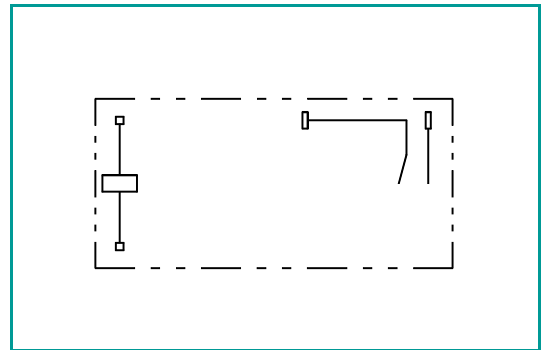


EQ series

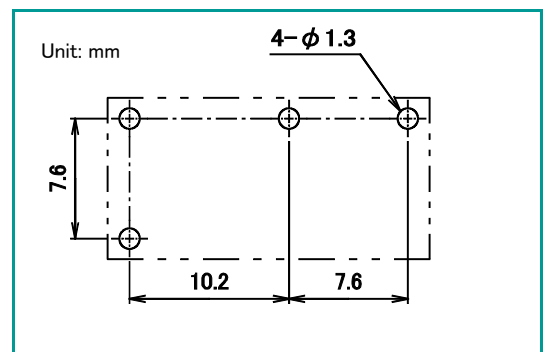
■ Dimensions



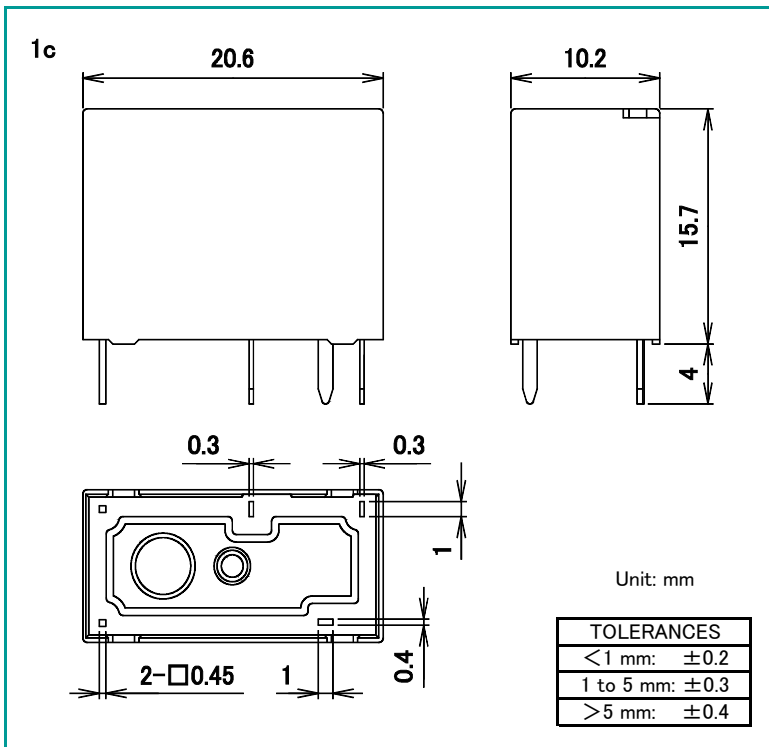
■ Schematics



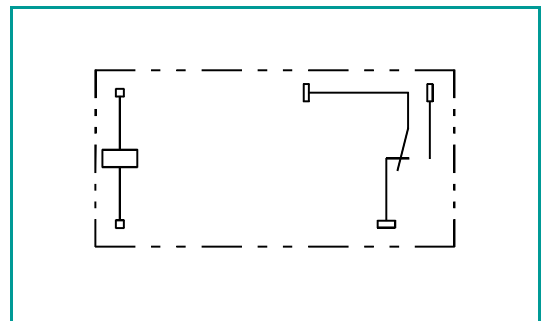
■ PCB mounting holes (tolerances ±0.1)



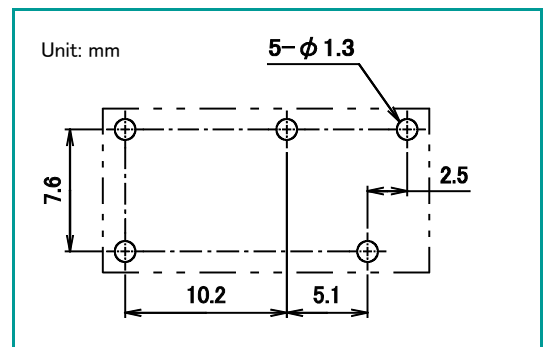
■ Dimensions



■ Schematics



■ PCB mounting holes (tolerances ±0.1)



DEC is a professional manufacturer of relays

DEC Daiichi Electric Co., Ltd.

<https://www.j-dec.co.jp>