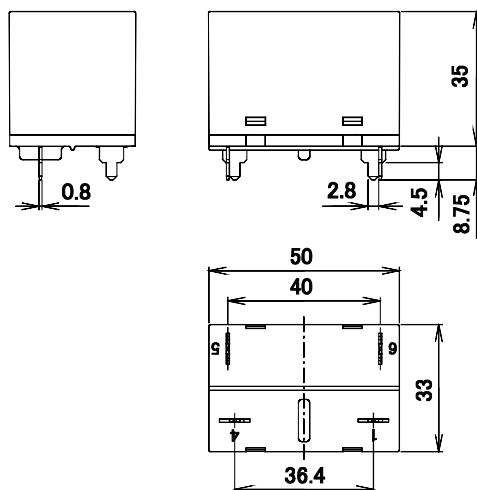


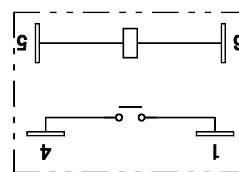
# EL series

EL1U-O  
(1 pole PCB terminal type)

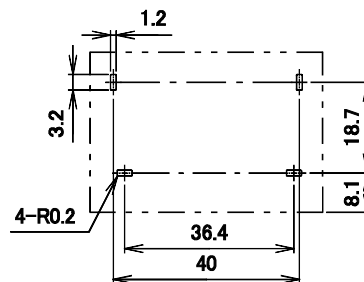
■ Dimensions



■ Schematics



■ PCB mounting holes (tolerances  $\pm 0.1$ )

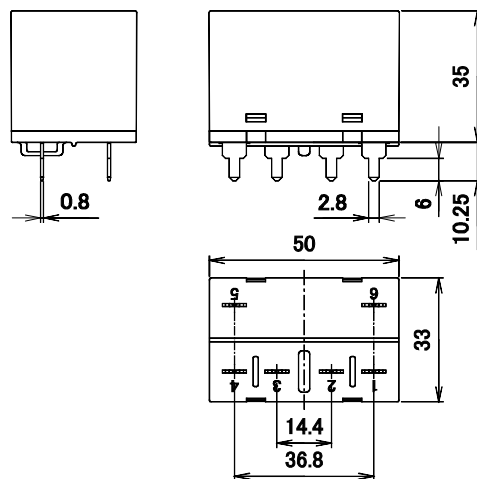


Unit: mm

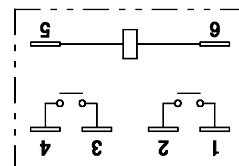
TOLERANCES
<5mm: $\pm 0.2$
$\geq 5$ mm: $\pm 0.3$

EL2U-O  
(2 poles PCB terminal type)

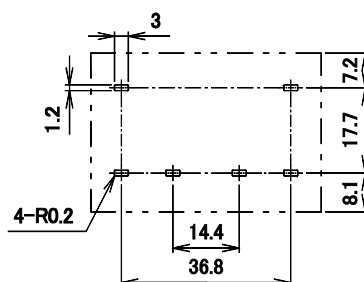
■ Dimensions



■ Schematics



■ PCB mounting holes (tolerances  $\pm 0.1$ )

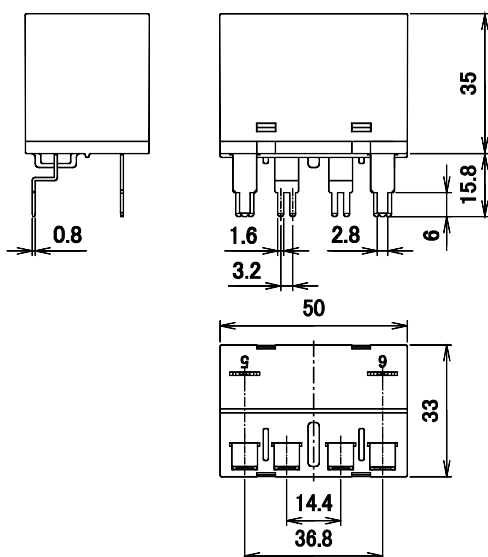


Unit: mm

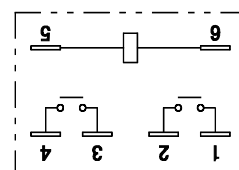
TOLERANCES
<5mm: $\pm 0.2$
$\geq 5$ mm: $\pm 0.3$

EL2U-O  
(2 poles PCB terminal, high capacity type)

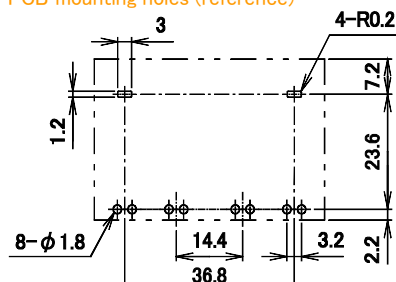
■ Dimensions



■ Schematics



■ PCB mounting holes (reference)



Unit: mm

TOLERANCES
<5mm: $\pm 0.2$
$\geq 5$ mm: $\pm 0.3$

DEC is a professional manufacturer of relays

**DEC** Daiichi Electric Co., Ltd.

<https://www.j-dec.co.jp>