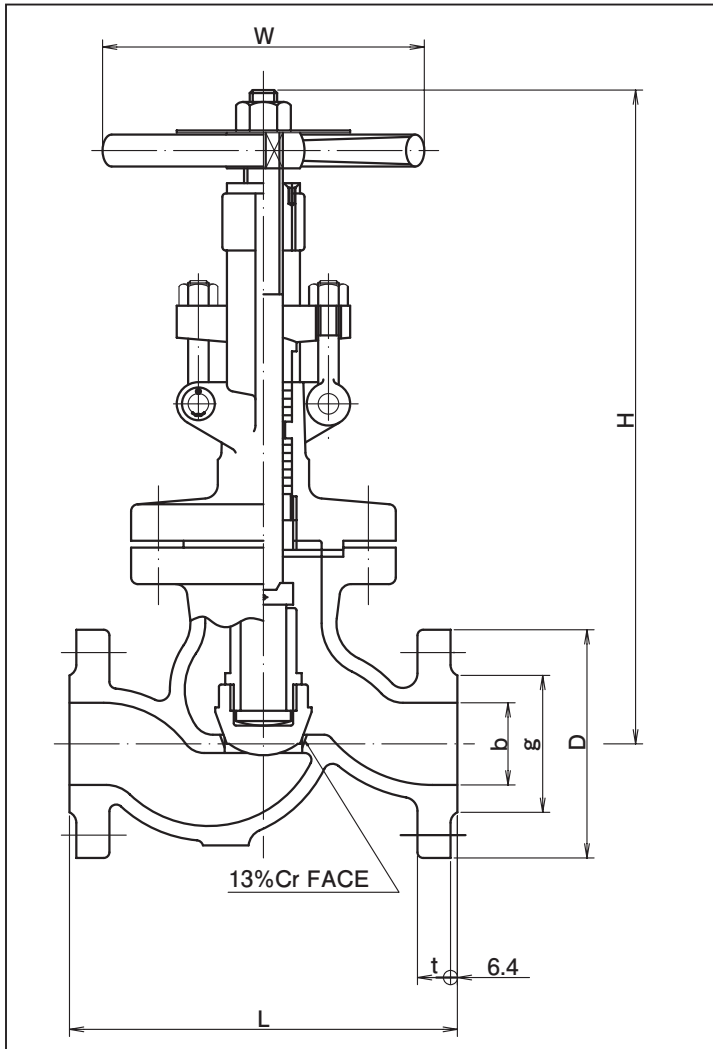


Twin-Pack CAST STEEL FLANGED ENDS GLOBE VALVES

■ 600LB (40K)



MATERIAL

No.	NAME OF PART	MATERIALS	REMARK
1	BODY	A216-WCB	13Cr FACE
2			
3	DISC	A182-F6a	
4	DISC STEM RING	A182-F6a	
5	STEM	A182-F6a	HARD-Cr PLATED
6	BONNET	A216-WCB	
7	BONNET BOLT	A193-B7	
8	BONNET BOLT NUT	A194-2H	
9	BONNET GASKET	VALQUA #6590 SPIRAL-WOUND STAINLESS GRAFOIL FILLED	
10	GLAND PACKING	PILLER #6527 + PILLER #6610 GRAPHITE & CARBON FIBER	
11	PACKING WASHER	A182-F6a	
12	GLAND	A182-F6a	
13	GLAND FLANGE	A105	
14	GRAND EYE BOLT	A193-B7	
15	GRAND EYE BOLT NUT	A194-2H	
16	EYE BOLT PIN	13%Cr STEEL	
17	EYE BOLT PIN WASHER	CARBON STEEL	
18	COTTER PIN	MILD STEEL	
19			
20	SET SCREW	TYPE 304	
21	BUSHING	AL-BRONZE	
22	HAND WHEEL	DUCTILE IRON	
23	WASHER	CARBON STEEL	
24	LOCK NUT	CARBON STEEL	
25			
26			
27	BONNET BUSH	A182-F6a	
28	PACKING WASHER	A182-F6a	
29	GLAND PACKING	CARBON FIBER PACKING(P#6527)	
30	STOPPER	CARBON STEEL	
31	KNOCK PIN	TYPE 304	
32	NAME PLATE	ALUMINUM	

WEIGHT AND DIMENSIONS

DIMENSIONS: mm

SIZE	L	b	t	D	g	C	N - d	H		W	Q'TY
								SHUT	OPEN		
1 1/2"	241	38	22.4	155	73	114.5	4-22	420	439	250	
2"	292	51	25.4	165	92	127.0	8-19	433	461	280	
2 1/2"	330	64	28.5	190	105	149.0	8-22	437	471	280	
3"	356	76	31.8	210	127	168.0	8-22	596	637	355	