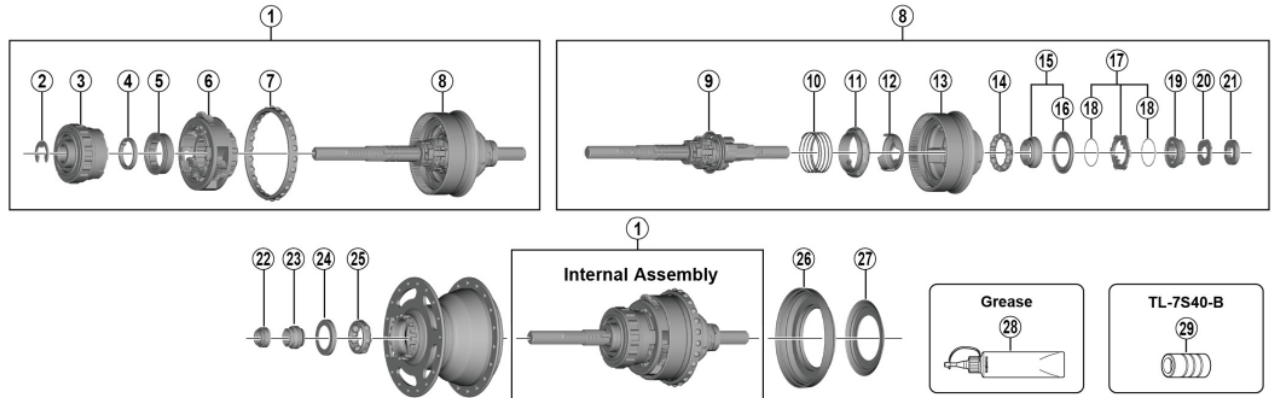


NEXUS 3-Speed Internal Hub SG-3R75-B



ITEM NO.	SHIMANO CODE NO.	DESCRIPTION	INTERCHANGEABILITY		
			SG-3R75-A	SG-C3000-7R	SG-C3000-7C
1	Y3F198010	Internal Assembly (Axle Length 174 mm)	B		
	Y3F198020	Internal Assembly (Axle Length 193 mm)	B		
	Y3F198030	Internal Assembly (Axle Length 197.6 mm)	B		
	Y3F198040	Internal Assembly (Axle Length 200 mm)	B		
2	Y33Y19000	E-Ring (ø9.6)	A		
3	Y39098050	Cam Body Unit	A		
4	Y38R11000	Sun Gear Guide Ring 2	A	A	A
5	Y3EV08000	Sun Gear 2			
6	Y39098060	Carrier Unit			
7	Y33091800	Ball Retainer M (3/16" x 26)	A	A	A
	Y3F198050	Axle & Driver Unit (Axle Length 174 mm)	B		
	Y3F198060	Axle & Driver Unit (Axle Length 193 mm)	B		
	Y3F198070	Axle & Driver Unit (Axle Length 197.6 mm)	B		
8	Y3F198080	Axle & Driver Unit (Axle Length 200 mm)	B		
	Y3F198090	Axle Unit (Axle Length 174 mm)			
	Y3F198100	Axle Unit (Axle Length 193 mm)			
	Y3F198110	Axle Unit (Axle Length 197.6 mm)			
9	Y3F198120	Axle Unit (Axle Length 200 mm)			
	Y33024000	Return Spring A	A	A	A
	Y33Z10000	Gear Shifting Cam	A	A	A
	Y3F101000	Feed Cam			
13	Y37P98060	Driver Unit	A	A	A
14	Y33091600	Ball Retainer F (3/16" x 12)	A	A	A
15	Y39098160	Right Hand Cone w/Seal	A	A	A
16	Y35K07000	Right Hand Cone Seal	A	A	A
17	Y33F98040	Driver Plate w/Seal	A	A	A
18	Y33012000	Driver Plate Seal	A	A	A
19	Y33E98120	Lock Washer	A	A	A
20	Y33Z08000	Stop Washer	A	A	A
21	Y33Z07020	Right Hand Lock Nut (3.4 mm)	A	A	A
22	Y31Z06020	Lock Nut for Left Hand Cone	A	A	A
23	Y33M37000	Left Hand Cone	A	A	A
24	Y31Z07000	Left Hand Dust Cap	A		
25	Y32190220	Ball Retainer A (1/4" x 7)	A	A	A
26	Y35B05000	Right Hand Dust Cap B	A		
27	Y33Z26000	Right Hand Dust Cap C	A	A	A
28	Y04120800	Internal Hub Grease (Net. 100g)	A	A	A
29	Y30889000	TL-7S40-B Right Hand Cone Tool	A	A	A

A: Same parts.

B: Parts are usable, but differ in materials, appearance, finish, size, etc.

Absence of mark indicates non-interchangeability.

Specifications are subject to change without notice.

Jul.-2017-4299

© Shimano Inc. I

SHIMANO